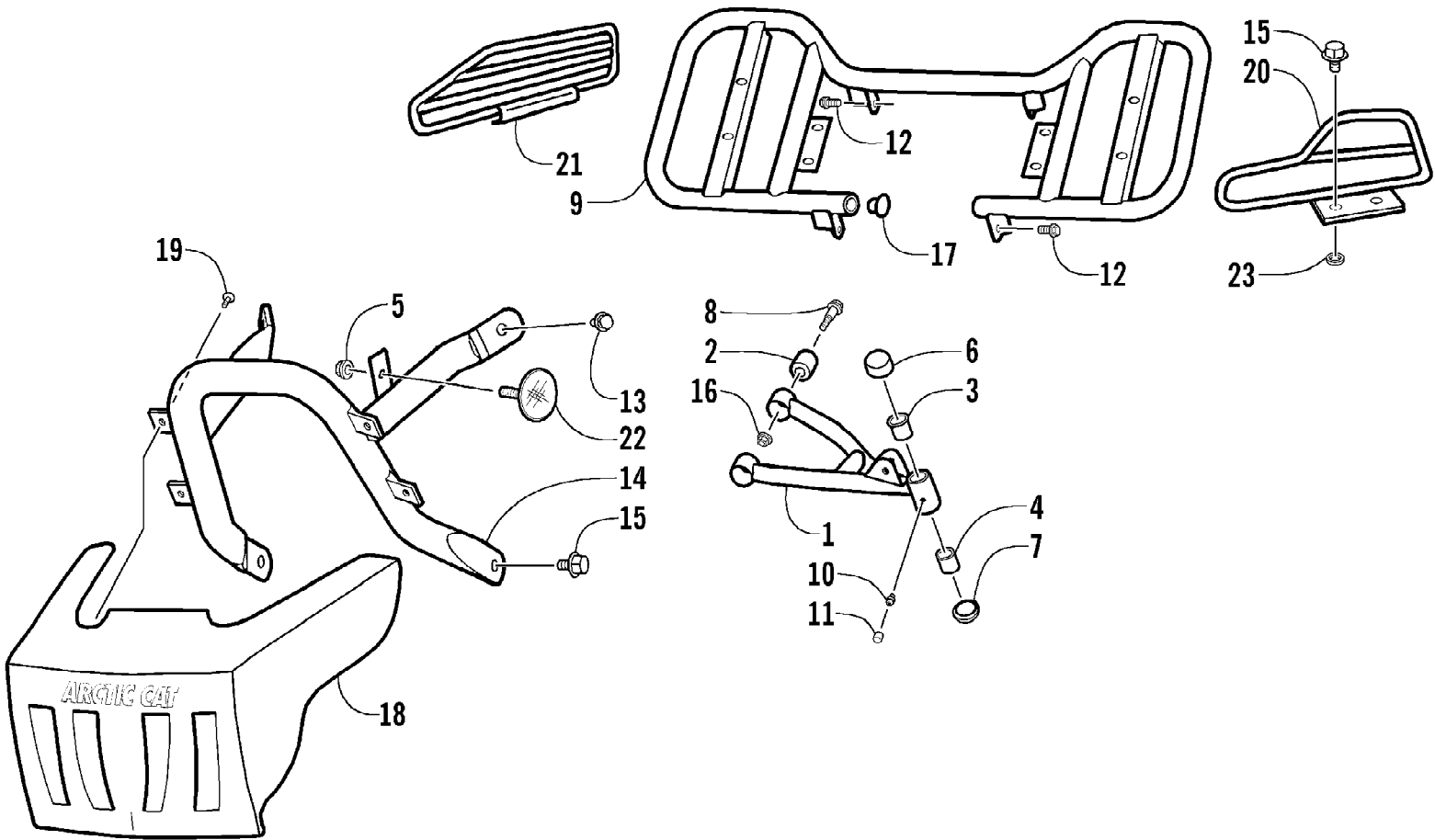


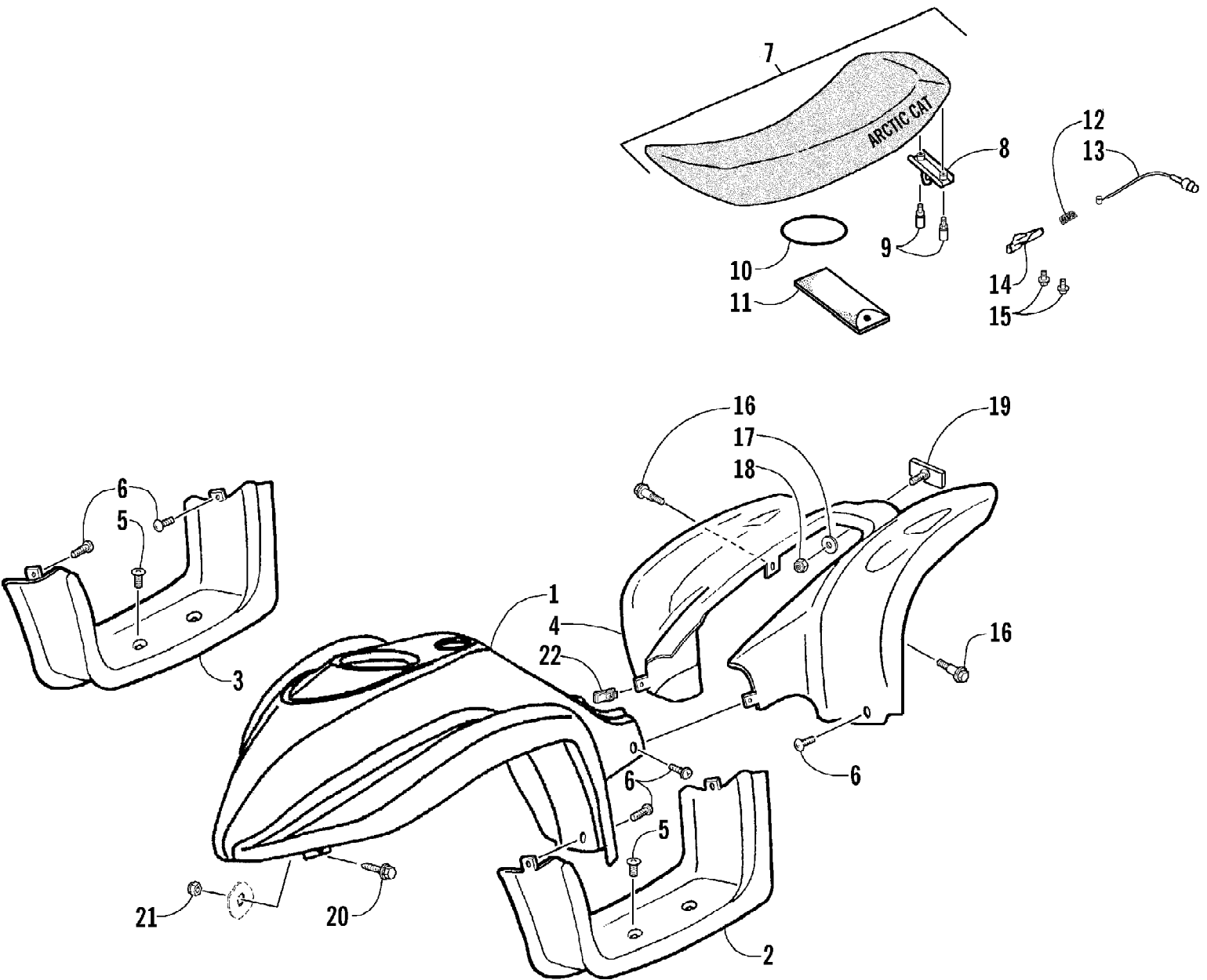
2004 ATV 50 Y-6 YOUTH GREEN (A2004ATA2BUSG)
A-ARM, FLOOR PANEL, AND BUMPER ASSEMBLY



2004 ATV 50 Y-6 YOUTH GREEN (A2004ATA2BUSG)
A-ARM, FLOOR PANEL, AND BUMPER ASSEMBLY

Page 2 of 50

Ref #	Part Number	Qty	S/P/F	Description
1	3301-222	1		A-Arm, Suspension - Left
1	3301-218	1		A-Arm, Suspension - Right
2	3301-428	4		Bushing, Rubber
3	3301-328	2		Bushing
4	3301-219	2		Bushing
5	3301-327	2		Nut, Flange
6	3301-220	2		Cover, Waterproof
7	3301-580	2	/P	Cover, Dustproof
8	3301-402	4		Screw, Cap
9	3301-251	1		Panel, Floor
10	3301-444	2		Fitting, Grease
11	3301-445	2		Cap, Grease Fitting
12	3301-400	4		Screw, Cap
13	3301-388	2		Screw, Cap
14	3301-207	1		Bumper
15	3301-395	6		Screw, Cap
16	3301-283	4		Nut, Nylon
17	3301-256	2		Cap, Floor Panel - Rubber
18	3301-208	1		Cover, Bumper
19	3301-322	4		Screw, Self-Tapping
20	3301-254	1		Guard, Floor Panel - Left
21	3301-255	1		Guard, Floor Panel - Right
22	3301-455	2		Reflector - Amber
23	3301-476	4		Washer, Spring

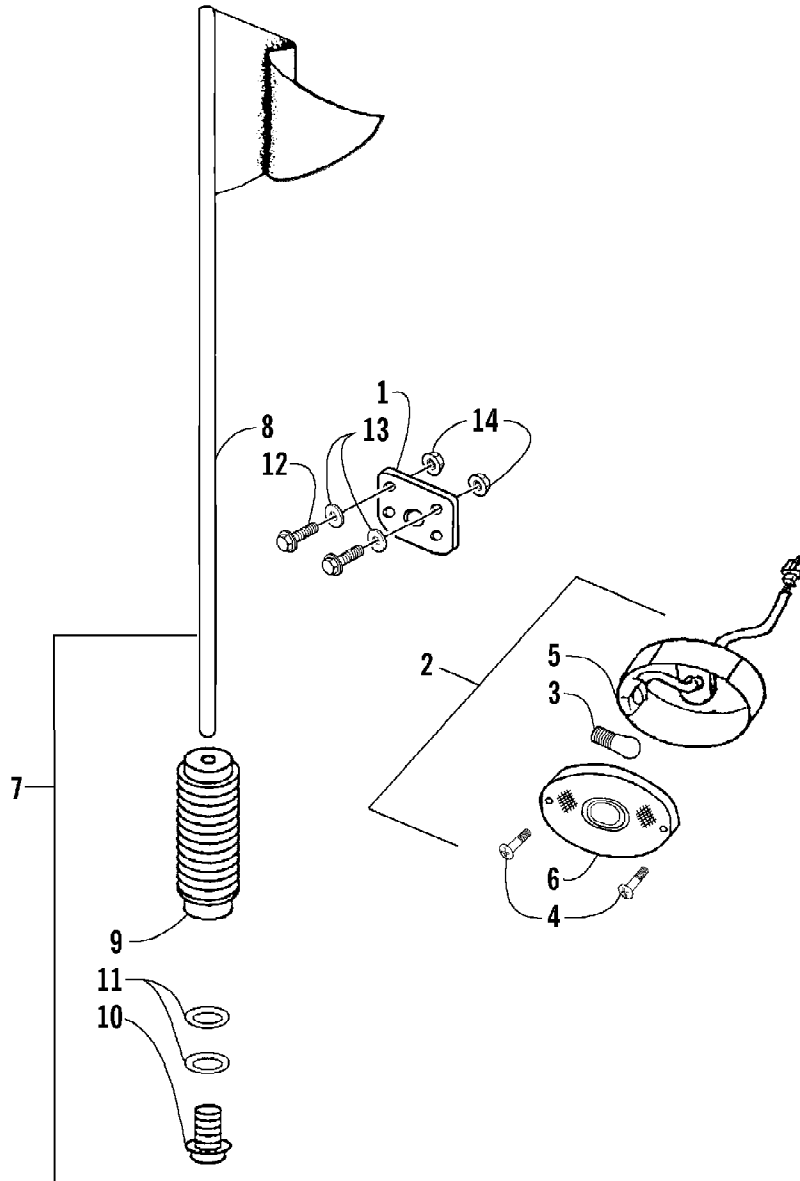


2004 ATV 50 Y-6 YOUTH GREEN (A2004ATA2BUSG)
BODY AND SEAT ASSEMBLY

Page 4 of 50

Ref #	Part Number	Qty	S/P/F	Description
1	3301-248	1		Cover, Front
2	3301-253	1		Panel, Floor - Left
3	3301-252	1		Panel, Floor - Right
4	3301-493	1		Cover, Rear
5	3301-319	4		Screw, Machine
6	3301-320	6		Screw, Machine
7	3301-257	1		Seat Assembly (inc. 8-9)
8	3301-258	1		Bracket, Seat
9	3301-259	2		Bolt, Seat
10	3301-613	1		Strip, Rubber
11	3301-210	1		Bag, Tool
12	3301-262	1		Spring, Reset
13	3301-261	1		Cable, Seat Release
14	3301-263	1		Seat Lock Assembly
15	3301-386	2		Screw, Cap
16	3301-275	4		Bolt, Carriage
17	3301-338	1		Washer
18	3301-281	1		Nut, Nylon
19	3301-149	1		Reflector
20	3301-466	2	/P	Screw, Cap
21	3301-327	2		Nut, Flange
22	3301-280	2	S	U-Nut

2004 ATV 50 Y-6 YOUTH GREEN (A2004ATA2BUSG)
BRAKELIGHT AND FLAG ASSEMBLIES



2004 ATV 50 Y-6 YOUTH GREEN (A2004ATA2BUSG)
BRAKELIGHT AND FLAG ASSEMBLIES

Page 6 of 50

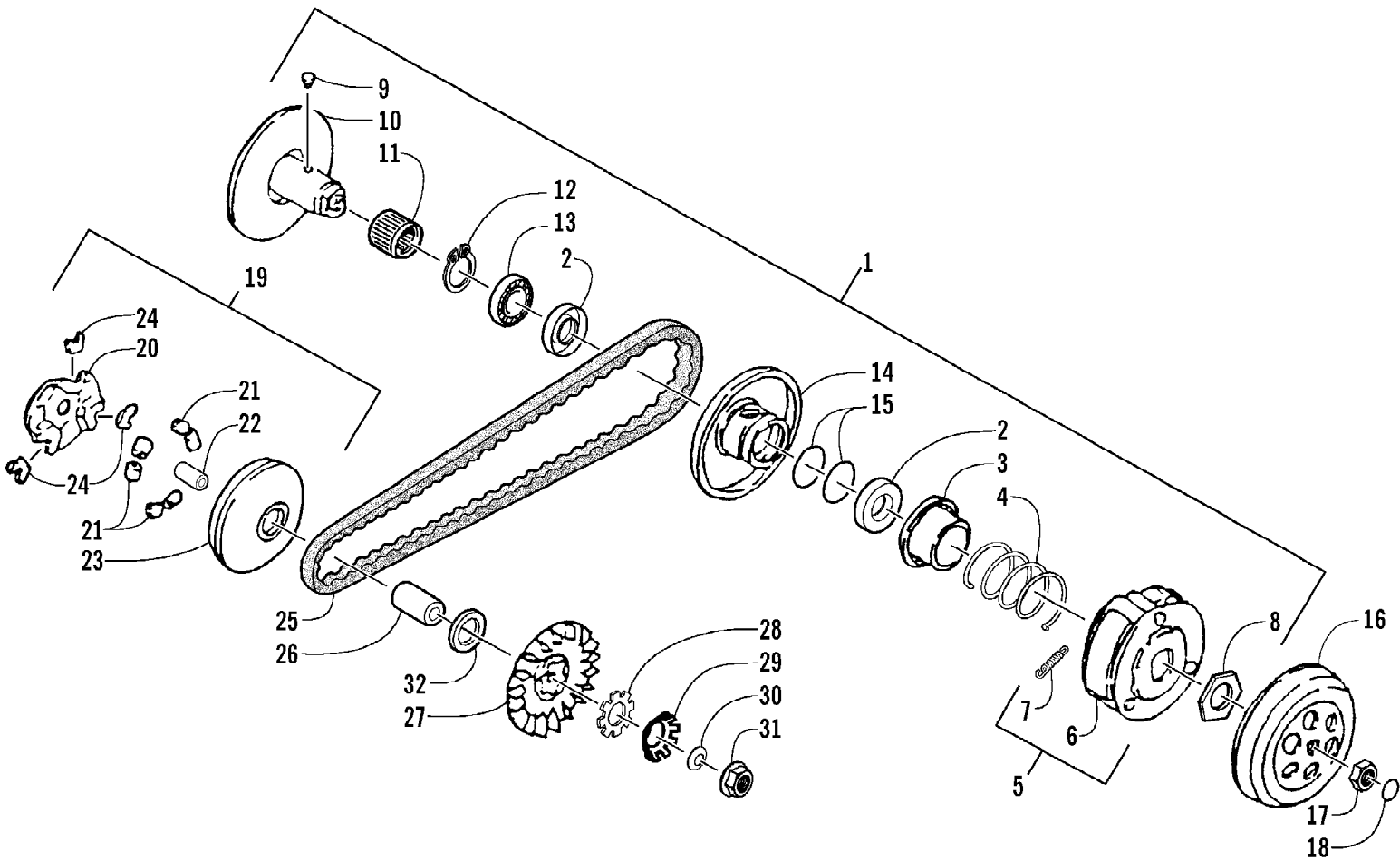
Ref #	Part Number	Qty	S/P/F	Description
1	3301-213	1		Bracket, Brakelight
2	3301-148	1		Brakelight Assembly (inc. 3-6)
3	3301-150	1		Bulb, Brakelight
4	3301-314	2		Screw, Machine
5	3301-453	1		Base, Brakelight
6	3301-452	1		Lens, Brakelight
7	3301-274	1		Flag/Spring Assembly (inc. 8-11)
8	3301-464	1		Flag
9	3301-273	1		Spring, Flag
10	3301-490	1	/P	Screw, Cap
11	3301-472	2		Washer
12	3301-386	2		Screw, Cap
13	3301-338	2		Washer
14	3301-327	2		Nut, Flange

2004 ATV 50 Y-6 YOUTH GREEN (A2004ATA2BUSG)
CARBURETOR ASSEMBLY

Page 8 of 50

Ref #	Part Number	Qty	S/P/F	Description
1	3301-603	1		Carburetor Assembly (inc. 2-25)
2	3301-039	1		Gasket, Carburetor
3	3301-040	1		Spring, Throttle Valve
4	3301-315	6	S	Screw, Machine
5	3301-359	2		Washer, Spring
6	3301-041	1		Valve, Throttle
7	3301-547	1		Set, Jet Needle
8	3301-549	1		Needle Jet
9	3301-044	1		Seal, Float Chamber
10	3301-615	1		Main Jet
11	3301-047	1		Tube, Overflow
12	3301-614	1		Pilot Jet
13	3301-052	1		Screw, Air Adjustment
14	3301-049	1		Plug, Drain
15	3301-313	2		Screw, Machine
16	3301-358	2		Washer, Spring
17	3301-312	1		Screw, Machine
18	3301-066	1	/P	Choke Assembly - Electric (inc. 19)
19	3301-299	1		O-Ring
20	3301-051	1		Screw, Throttle
21	3301-053	1		Needle Valve Assembly
22	3301-055	1		Pin, Float
23	3301-054	1		Float
24	3301-045	1		Chamber, Float
25	3301-050	1		Nut, Cable Adjust
26	3301-521	1	/P	Plug, Purge Hole
27	3301-531	1		Tube, Breather
28	3301-548	1		Shroud, Carburetor

2004 ATV 50 Y-6 YOUTH GREEN (A2004ATA2BUSG)
CLUTCH ASSEMBLY

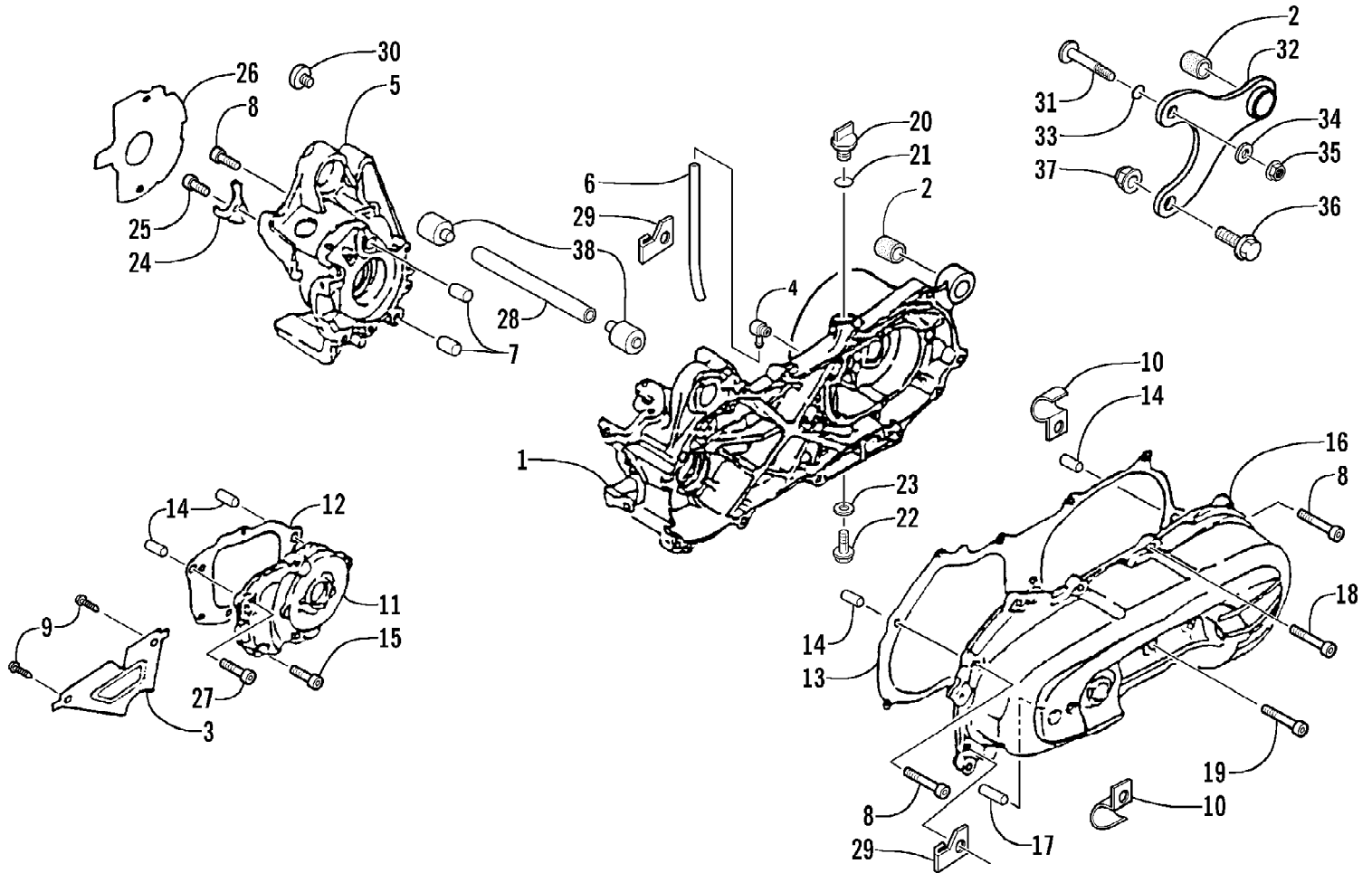


2004 ATV 50 Y-6 YOUTH GREEN (A2004ATA2BUSG)
CLUTCH ASSEMBLY

Page 10 of 50

Ref #	Part Number	Qty	S/P/F	Description
1	3301-592	1		Driven Face Assembly (inc. 2-15)
2	3301-442	2		Seal, Oil
3	3301-118	1		Seat, Secondary Spring
4	3301-594	1		Spring, Compression
5	3301-112	1		Weight Set, Clutch (inc. 6-7)
6	3301-110	1		Carrier, Clutch Weight
7	3301-111	3		Spring
8	3301-277	1		Nut
9	3301-116	2		Pin, Guide
10	3301-114	1		Face, Fixed Driven
11	3301-420	1		Bearing, Needle
12	3301-606	1	S	Circlip
13	3301-417	1		Bearing, Radial Ball
14	3301-115	1		Face, Movable Driven
15	3301-302	2		O-Ring
16	3301-100	1		Cover, Clutch
17	3301-325	1		Nut
18	3301-298	1		O-Ring
19	3301-559	1		Drive Face Assembly (inc. 20-24)
20	3301-562	1		Plate, Cam
21	3301-607	6		Roller, Weight
22	3301-528	1		Bushing
23	3301-560	1		Face, Movable Drive
24	3301-106	3		Slide, Cam Plate
25	3301-113	1		V-Belt
26	3301-527	1		Bushing
27	3301-561	1		Face, Fixed Drive
28	3301-564	1		Washer, Lock - External Tooth
29	3301-563	1		Clutch, One-Way
30	3301-108	1		Washer, Cone Spring
31	3301-331	1		Nut, Flange
32	3301-593	1		Bushing, Clutch

2004 ATV 50 Y-6 YOUTH GREEN (A2004ATA2BUSG)
CRANKCASE ASSEMBLY

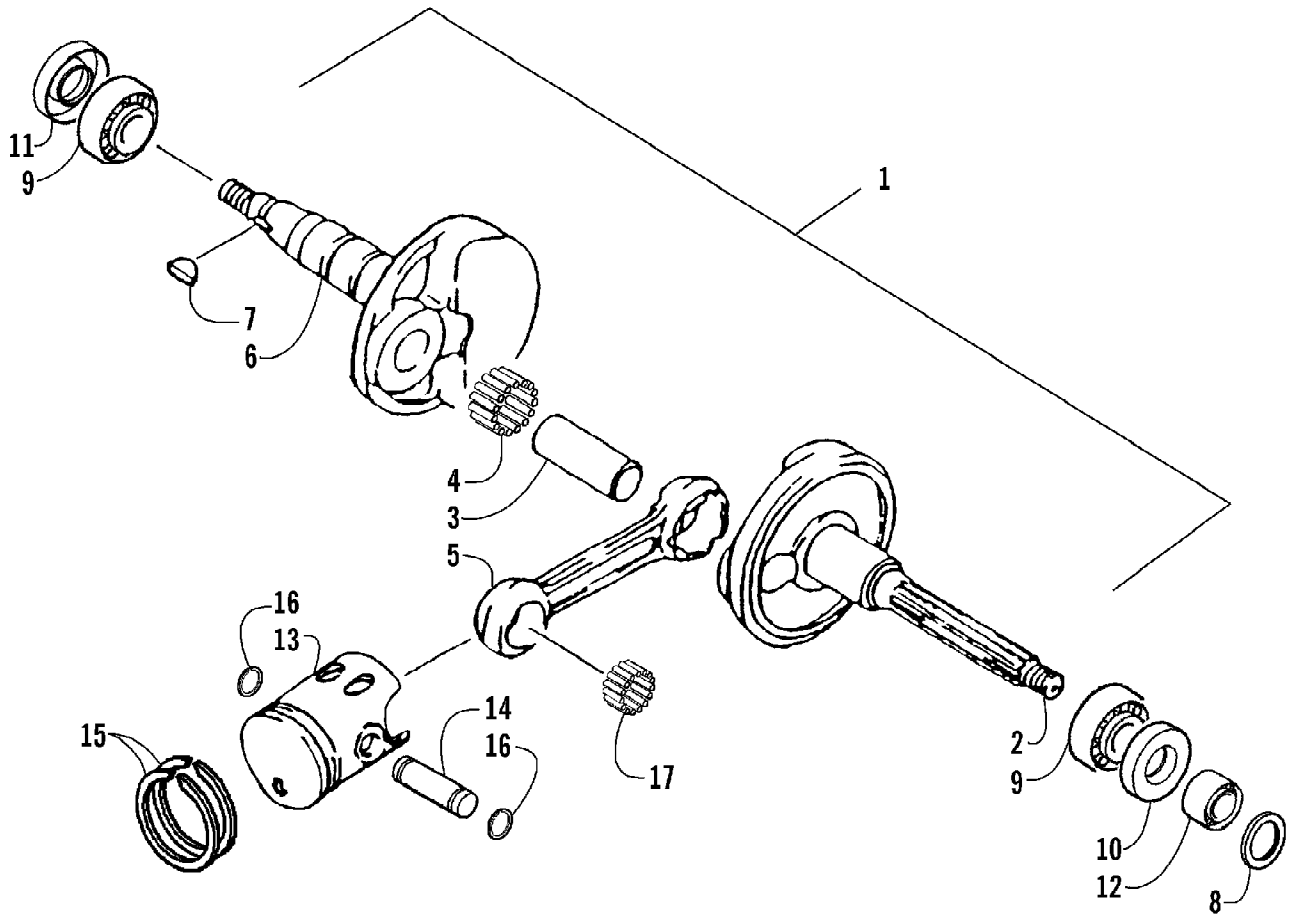


2004 ATV 50 Y-6 YOUTH GREEN (A2004ATA2BUSG)
CRANKCASE ASSEMBLY

Page 12 of 50

Ref #	Part Number	Qty	S/P/F	Description
1	3301-530	1		Crankcase - Left
2	3301-427	2		Bushing, Rubber
3	3301-011	1		Plate, Cover
4	3301-057	1		Fitting, Breather Hose
5	3301-529	1		Crankcase - Right
6	3301-480	1		Hose, Breather
7	3301-365	2		Pin, Dowel
8	3301-292	8		Screw, Cap
9	3301-321	2		Screw, Self-Tapping
10	3301-013	2		Clamp
11	3301-097	1		Cover, Mission
12	3301-098	1		Gasket, Mission Cover
13	3301-014	1		Gasket, Crankcase Cover
14	3301-364	4		Pin, Dowel
15	3301-289	3		Screw, Cap
16	3301-010	1		Cover, Crankcase - Left
17	3301-426	1		Shaft, Idler
18	3301-290	9		Screw, Cap
19	3301-293	1		Screw, Cap
20	3301-037	1		Plug, Oil
21	3301-297	1		O-Ring
22	3301-394	1		Screw, Cap
23	3301-342	1		Washer
24	3301-003	1		Bracket, Oil Seal
25	3301-287	1		Screw, Cap
26	3301-004	1		Gasket, Magneto
27	3301-291	2		Screw, Cap
28	3301-005	1		Shaft, Crankcase Fixed
29	3301-012	2		Bracket, Carburetor Tube
30	3301-002	1		Protector, Shroud
31	3301-198	1		Shaft, Fixed
32	3301-007	1		Bracket, Crankcase
33	3301-296	1		O-Ring
34	3301-343	1		Washer
35	3301-330	1		Nut, Flange
36	3301-406	1		Screw, Cap
37	3301-332	1		Nut, Flange
38	3301-008	2		Bushing

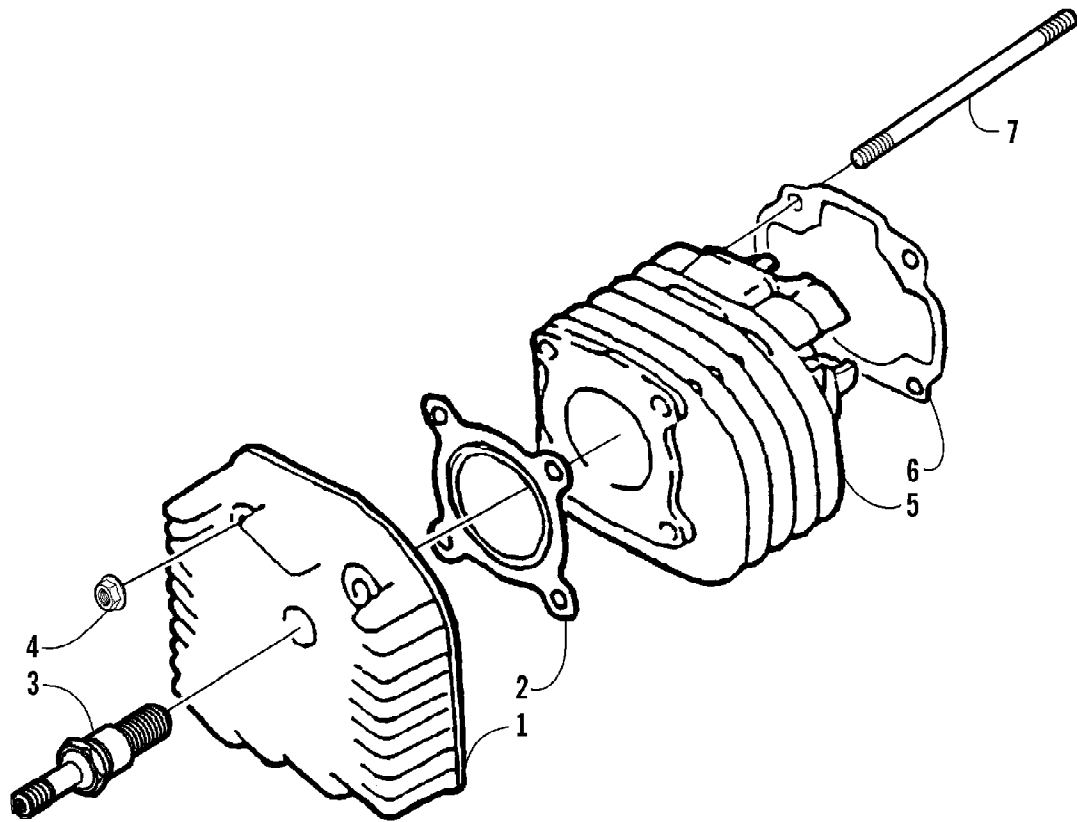
2004 ATV 50 Y-6 YOUTH GREEN (A2004ATA2BUSG)
CRANKSHAFT AND PISTON ASSEMBLY



2004 ATV 50 Y-6 YOUTH GREEN (A2004ATA2BUSG)
CRANKSHAFT AND PISTON ASSEMBLY

Page 14 of 50

Ref #	Part Number	Qty	S/P/F	Description
1	3301-537	1		Crankshaft Assembly (inc. 2-7)
2	3301-545	1		Crank, Left
3	3301-546	1		Pin, Crank
4	3301-526	1		Bearing, Needle
5	3301-608	1		Rod, Connecting
6	3301-543	1		Crank, Right
7	3301-285	1		Key
8	3301-584	1		Washer
9	3301-415	2		Bearing, Radial Ball
10	3301-438	1		Seal, Oil
11	3301-437	1		Seal, Oil
12	3301-544	1		Collar, Crank
13	3301-539	1		Piston
14	3301-540	1		Pin, Piston
15	3301-538	1		Ring, Piston - Set
16	3301-541	2		Clip, Piston Pin
17	3301-525	1		Bearing, Needle

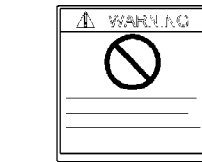
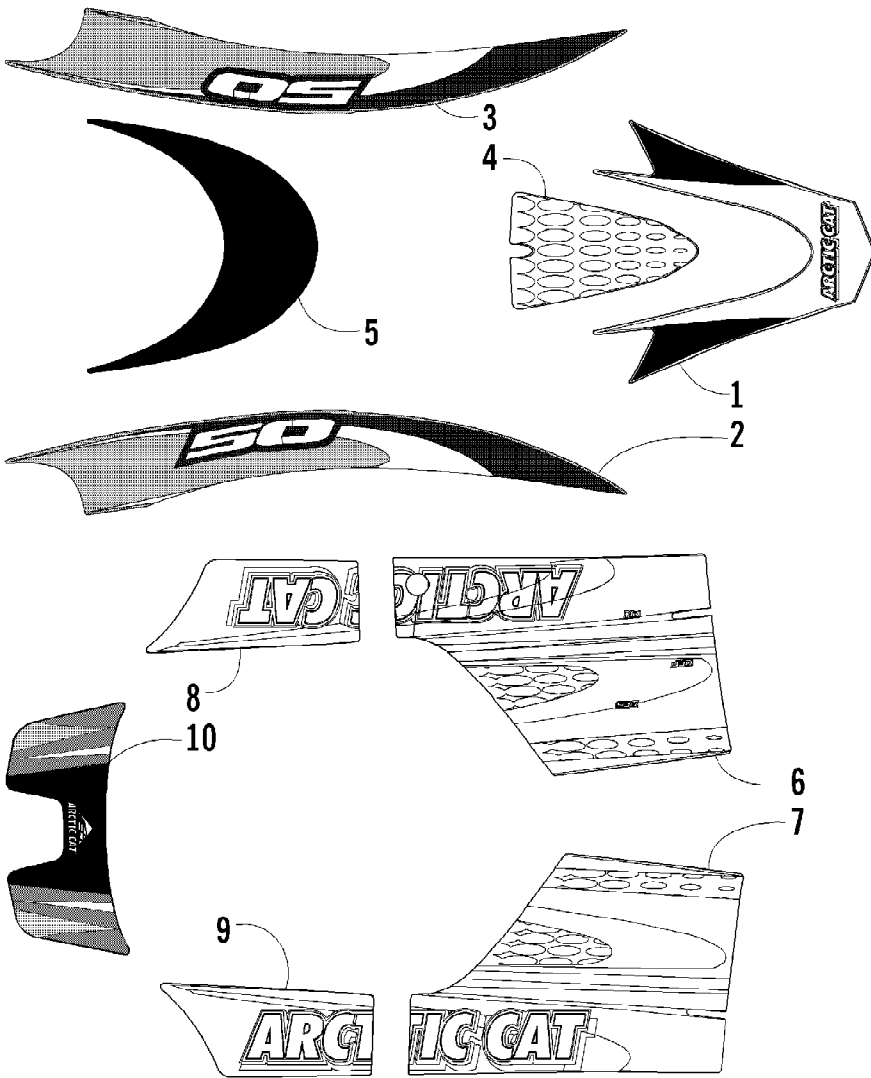


2004 ATV 50 Y-6 YOUTH GREEN (A2004ATA2BUSG)
CYLINDER AND HEAD ASSEMBLY

Page 16 of 50

Ref #	Part Number	Qty	S/P/F	Description
1	3301-534	1		Cylinder Head
2	3301-535	1		Gasket, Cylinder Head
3	0217-716	1	/P	Plug, Spark
4	3301-329	4		Nut, Flange
5	3301-532	1		Cylinder
6	3301-533	1		Gasket, Cylinder
7	3301-523	4		Bolt, Stud

2004 ATV 50 Y-6 YOUTH GREEN (A2004ATA2BUSG)
DECALS



11
12



13
14



15
16

WARNING
Improper ATV use may result in **SEVERE INJURY** or **DEATH**

ALWAYS WEAR: NEVER USE... NEVER USE... NEVER USE... NEVER USE...
NEVER operate:
 * without proper training or instruction
 * on public roads or other areas where other vehicles are present
 * with passengers - passengers should be seated on the seat and hold on to the seat back or handrails, not the handlebars

ALWAYS:
 * wear your seat belt when in your vehicle
 * do not drink and drive
 * avoid paved surfaces - pavement may seriously affect handling and control

ALWAYS WEAR YOUR SEAT BELT AND HOLD ON TO THE SEAT BACK OR HANDRAILS, NOT THE HANDLEBARS.
FOLLOW ALL INSTRUCTIONS AND WARNINGS

WARNING
Improper use may result in **SEVERE INJURY** or **DEATH**

ALWAYS WEAR: NEVER USE... NEVER USE... NEVER USE... NEVER USE...
NEVER operate:
 * without proper training or instruction
 * on public roads or other areas where other vehicles are present
 * with passengers - passengers should be seated on the seat and hold on to the seat back or handrails, not the handlebars

ALWAYS:
 * wear your seat belt when in your vehicle
 * do not drink and drive
 * avoid paved surfaces - pavement may seriously affect handling and control

ALWAYS WEAR YOUR SEAT BELT AND HOLD ON TO THE SEAT BACK OR HANDRAILS, NOT THE HANDLEBARS.
FOLLOW ALL INSTRUCTIONS AND WARNINGS

WARNING
Improper use may result in **SEVERE INJURY** or **DEATH**

ALWAYS WEAR: NEVER USE... NEVER USE... NEVER USE... NEVER USE...
NEVER operate:
 * without proper training or instruction
 * on public roads or other areas where other vehicles are present
 * with passengers - passengers should be seated on the seat and hold on to the seat back or handrails, not the handlebars

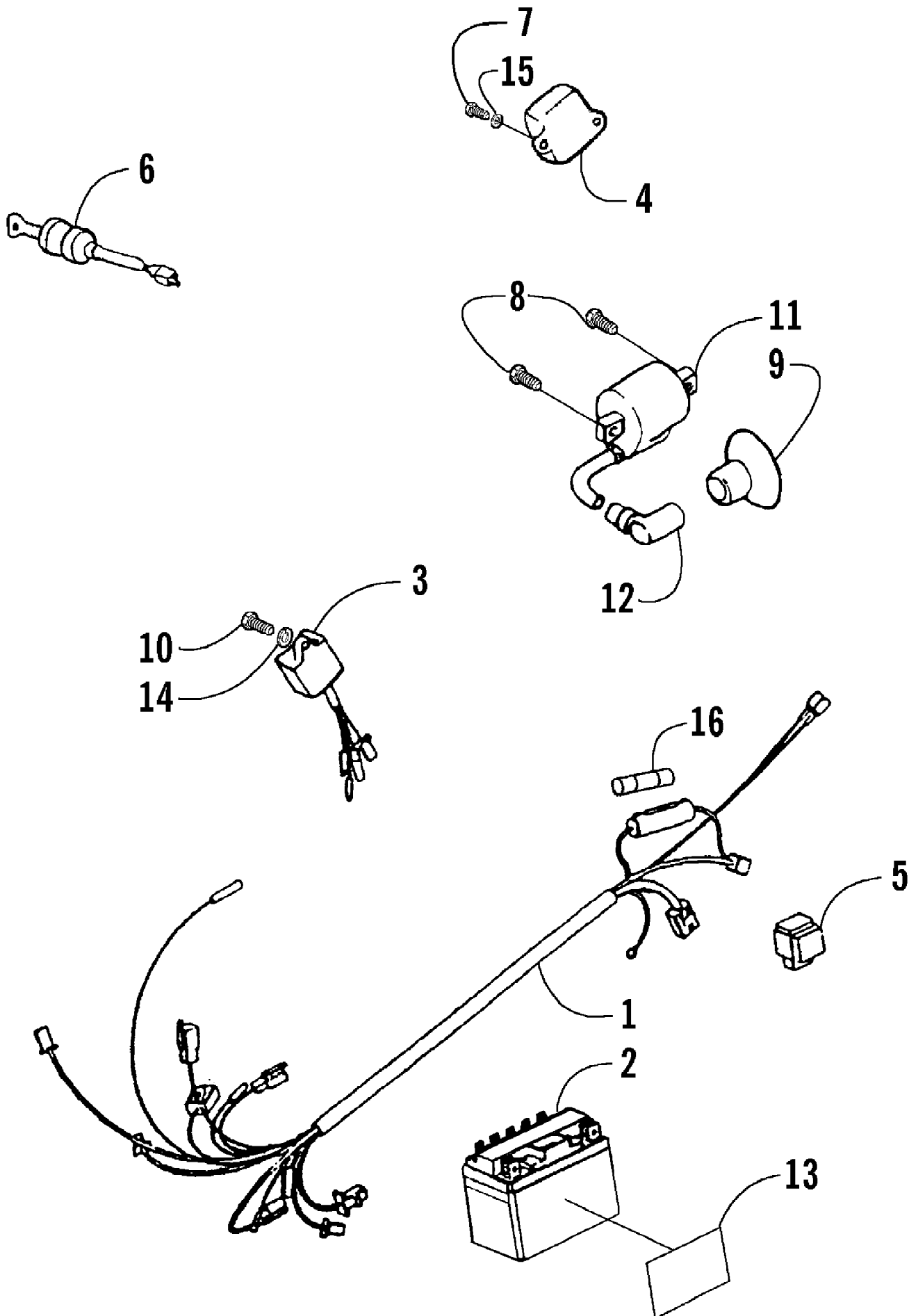
ALWAYS:
 * wear your seat belt when in your vehicle
 * do not drink and drive
 * avoid paved surfaces - pavement may seriously affect handling and control

ALWAYS WEAR YOUR SEAT BELT AND HOLD ON TO THE SEAT BACK OR HANDRAILS, NOT THE HANDLEBARS.
FOLLOW ALL INSTRUCTIONS AND WARNINGS

2004 ATV 50 Y-6 YOUTH GREEN (A2004ATA2BUSG)
DECALS

Page 18 of 50

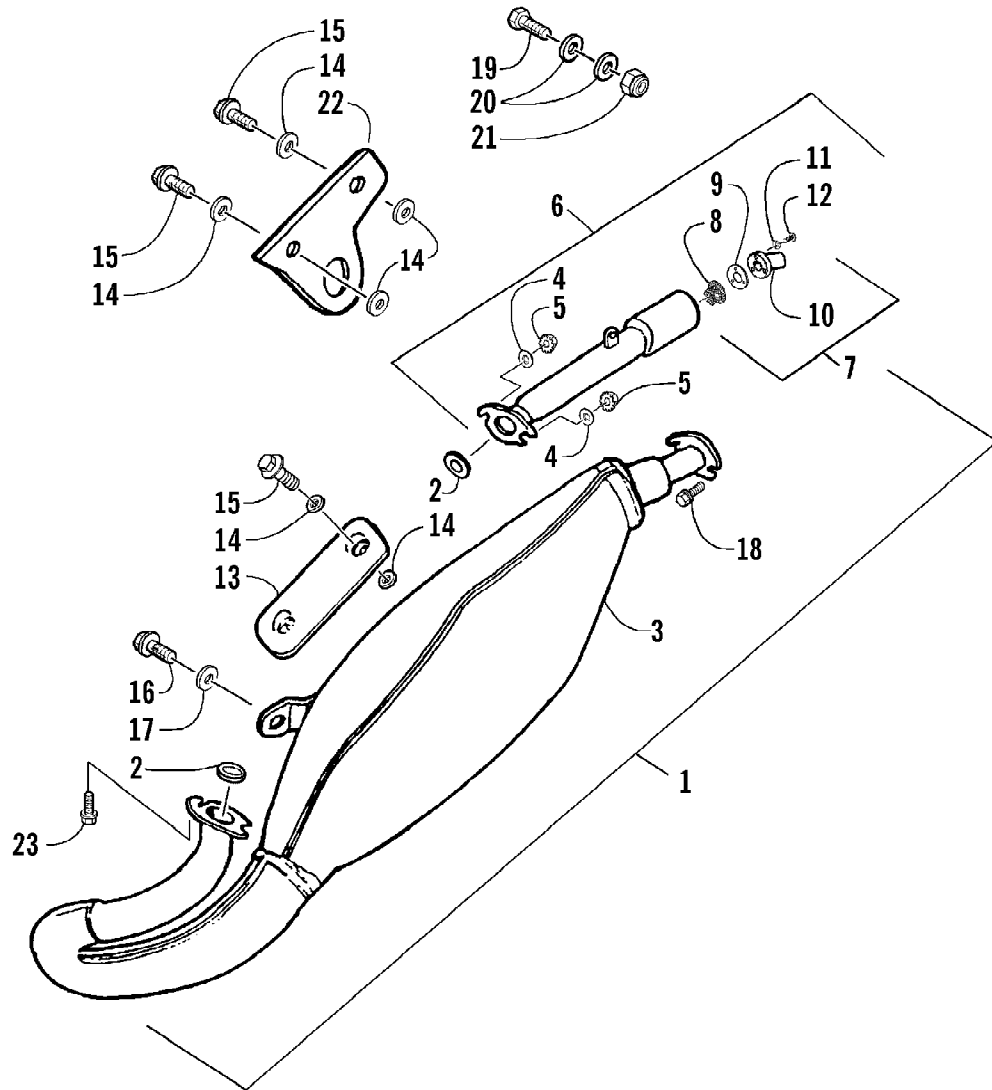
Ref #	Part Number	Qty	S/P/F	Description
1	0411-448	1		Decal, Graphic - Front
2	0411-734	1		Decal, Graphic - Upper Right
3	0411-735	1		Decal, Graphic - Upper Left
4	0411-463	1		Decal, Graphic - Front Insert
5	0411-454	1		Decal, Graphic - Cowl
6	0411-452	1		Decal, Graphic - Lower Left
7	0411-451	1		Decal, Graphic - Lower Right
8	0411-461	1		Decal, Graphic - Lower Rear - Left
9	0411-460	1		Decal, Graphic - Lower Rear - Right
10	0411-453	1		Decal, Graphic - Rear
11	0411-399	1		Decal, Warning - Age
12	0411-218	1		Decal, Warning - General
13	0411-426	1		Decal, Warning - Clutch Cover
14	0411-455	1		Decal, Warning - Tire/Load
15	0411-435	1		Decal, Warning - Passenger
16	0411-457	1		Decal, Warning - Pre-Ride



2004 ATV 50 Y-6 YOUTH GREEN (A2004ATA2BUSG)
ELECTRICAL

Page 20 of 50

Ref #	Part Number	Qty	S/P/F	Description
1	3301-147	1		Harness, Main (inc. 16)
2	3301-145	1		Battery
3	3301-595	1		CDI Unit
4	3301-146	1		Regulator
5	3301-154	1		Relay, Starter
6	3301-151	1		Switch, Ignition
7	3301-316	1		Screw, Machine
8	3301-390	2		Screw, Cap
9	3301-137	1		Cap, Rubber
10	3301-318	1		Screw, Machine
11	3301-136	1		Coil, Ignition
12	3301-596	1		Cap, Spark Plug
13	3301-463	1		Decal, Warning - Battery
14	3301-360	1		Washer, Spring
15	3301-475	1		Washer, Spring
16	3301-512	1		Fuse - 7 Amp

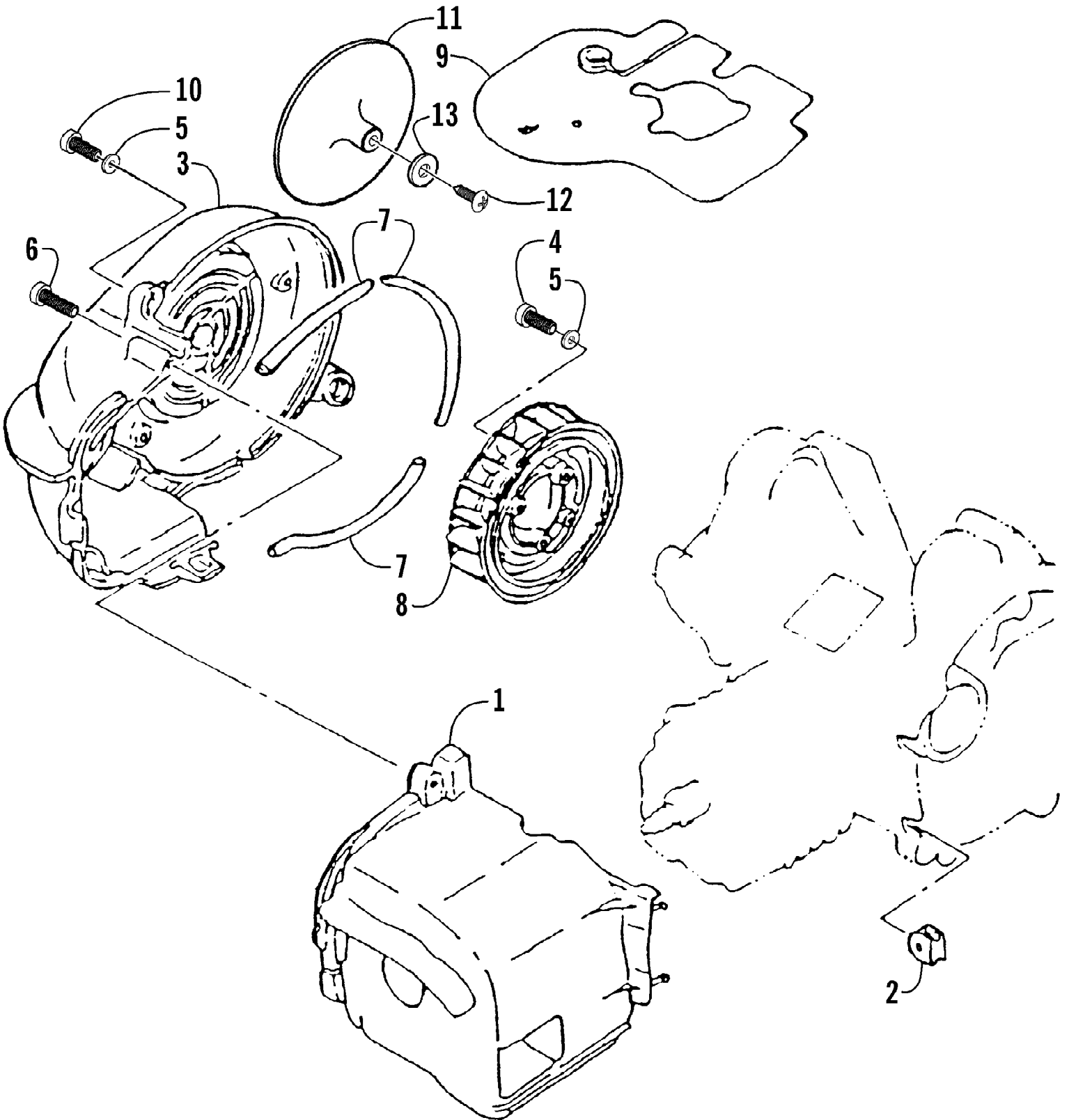


2004 ATV 50 Y-6 YOUTH GREEN (A2004ATA2BUSG)
EXHAUST ASSEMBLY

Page 22 of 50

Ref #	Part Number	Qty	S/P/F	Description
1	3301-589	1		Pipe, Exhaust - Assembly (inc. 2-13, four No. 14, and two No. 15)
2	3301-086	2		Gasket, Exhaust Pipe
3	3301-590	1		Pipe, Exhaust - Front
4	3301-360	2		Washer, Spring
5	3301-327	2		Nut, Flange
6	3301-092	1		Muffler (inc. 7-11)
7	3301-450	1		Arrester, Spark (inc. 8-10)
8	3301-556	1		Screen, Spark Arrestor
9	3301-516	1		Gasket
10	3301-518	1	/P	End Cap, Muffler
11	3301-514	3		Washer, Lock
12	3301-515	3		Screw, Machine
13	3301-091	1		Shroud, Muffler
14	3301-087	8		Packing
15	3301-600	4		Screw, Cap
16	3301-397	1		Screw, Cap
17	3301-361	1		Washer, Spring
18	3301-391	2		Screw, Cap
19	3301-402	1		Screw, Cap
20	3301-357	2	/P	Washer
21	3301-283	1		Nut, Nylon
22	3301-089	1		Insulator
23	3301-310	2		Screw, Cap

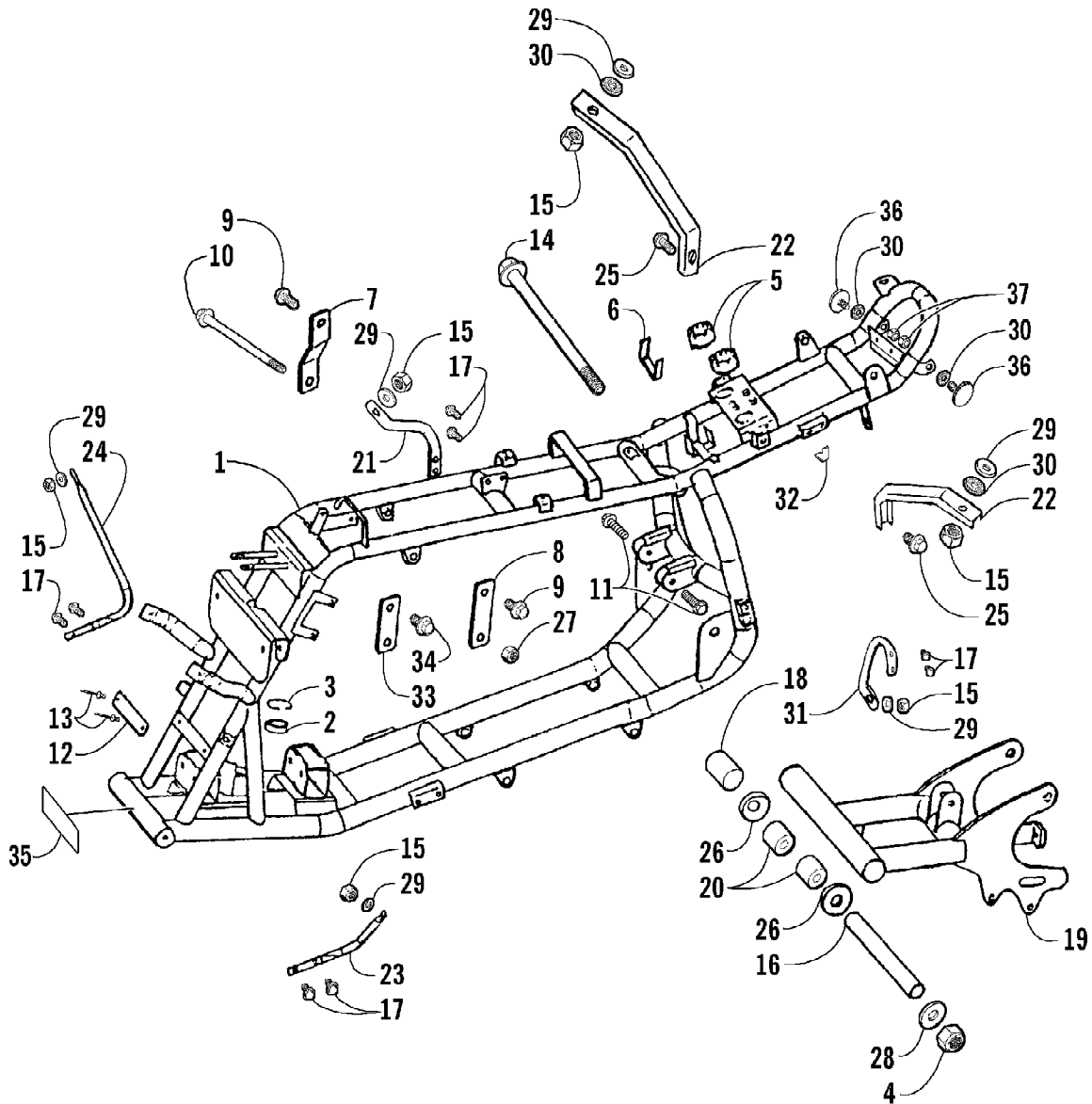
2004 ATV 50 Y-6 YOUTH GREEN (A2004ATA2BUSG)
FAN AND AIR SHROUD ASSEMBLY



2004 ATV 50 Y-6 YOUTH GREEN (A2004ATA2BUSG)
FAN AND AIR SHROUD ASSEMBLY

Page 24 of 50

Ref #	Part Number	Qty	S/P/F	Description
1	3301-591	1		Air Shroud, Cylinder
2	3301-268	2		Grommet
3	3301-094	1		Cover, Magneto
4	3301-288	4		Screw, Cap
5	3301-336	6		Washer
6	3301-324	1		Screw, Self-Tapping
7	3301-082	2		Damper
8	3301-093	1		Fan
9	3301-247	1		Deflector
10	3301-289	2		Screw, Cap
11	3301-095	1		Cover, Magneto - Outer
12	3301-322	1		Screw, Self-Tapping
13	3301-339	1		Washer

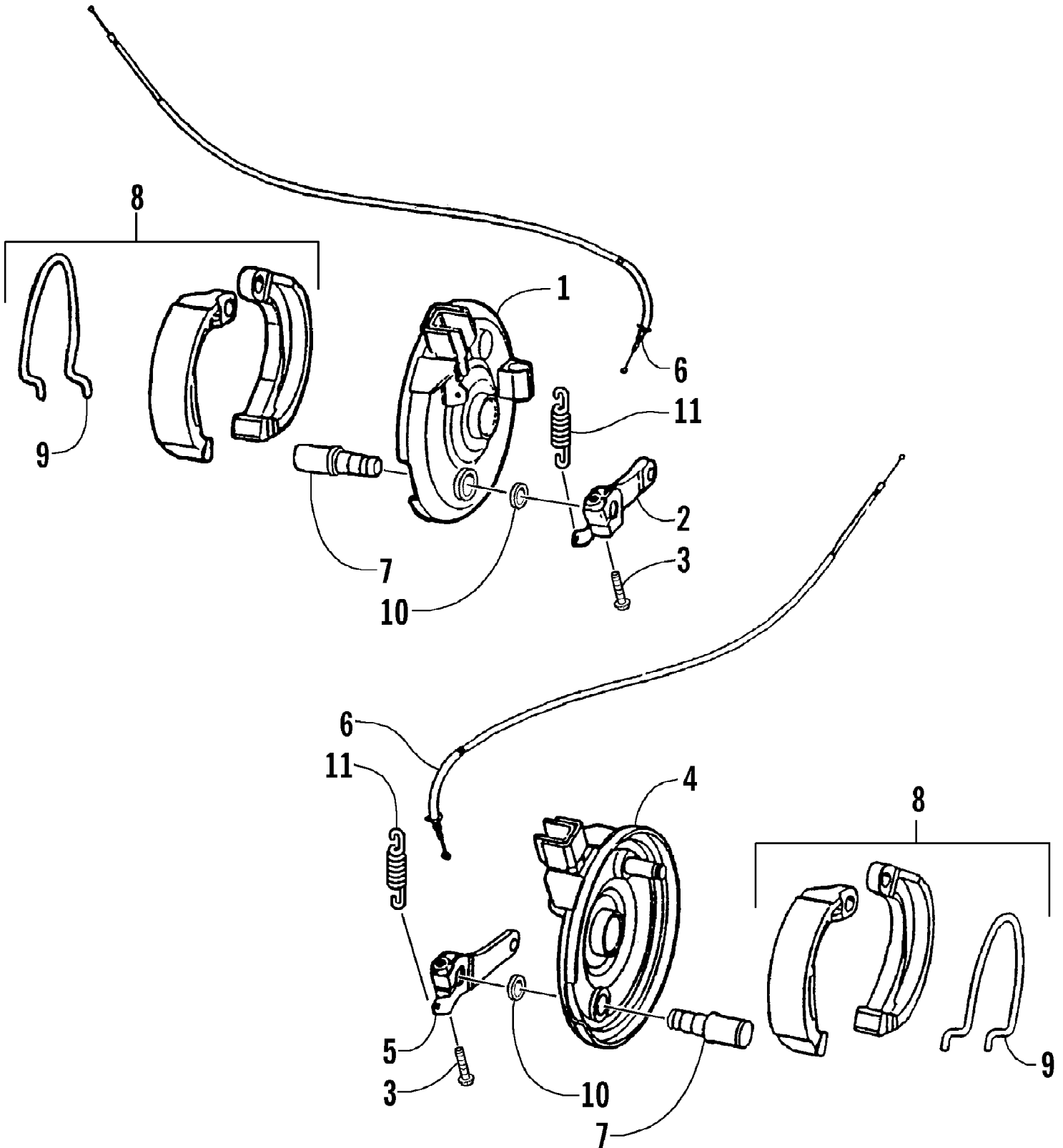


2004 ATV 50 Y-6 YOUTH GREEN (A2004ATA2BUSG)
FRAME AND RELATED PARTS

Page 26 of 50

Ref #	Part Number	Qty	S/P/F	Description
1	3301-206	1		Frame
2	3301-409	1		Bearing, Radial Ball
3	3301-381	1		Circlip
4	3301-284	1		Nut, Nylon
5	3301-260	2		Bumper, Rubber
6	3301-077	1		Pad, Foam
7	3301-211	1		Plate, Engine Mounting - Right
8	3301-212	1		Plate, Engine Mounting - Left
9	3301-400	2		Screw, Cap
10	3301-403	1		Screw, Cap
11	3301-485	2	/P	Screw, Cap
12	3301-209	1		Plate, Frame No.
13	3301-286	2		Rivet
14	3301-407	1		Screw, Cap
15	3301-281	6		Nut, Nylon
16	3301-227	1		Spacer, Swing Arm
17	3301-306	8		Screw, Cap
18	3301-582	1		Sleeve, Rubber
19	3301-581	1		Swing Arm Sub-Assembly
20	3301-226	2		Bushing
21	3301-265	1		Bracket, Rear Cover Mounting - Lower Right
22	3301-266	2		Bracket, Rear Cover Mounting - Upper
23	3301-461	1		Bracket, Front Cover Mounting - Left
24	3301-462	1		Bracket, Front Cover Mounting - Right
25	3301-386	2		Screw, Cap
26	3301-228	2		Cover, Swing Arm Seal
27	3301-282	1		Nut, Nylon
28	3301-349	1		Washer
29	3301-340	6		Washer
30	3301-356	4		Washer, Rubber
31	3301-267	1		Bracket, Rear Cover Mounting - Lower Left
32	3301-449	4		Clamp, Cable - Rubber
33	3301-460	1		Bracket, Gas Cup
34	3301-466	1	/P	Screw, Cap
35	3301-447	1		Decal, CE
36	3301-456	2	/P	Reflector - Red
37	3301-327	2		Nut, Flange

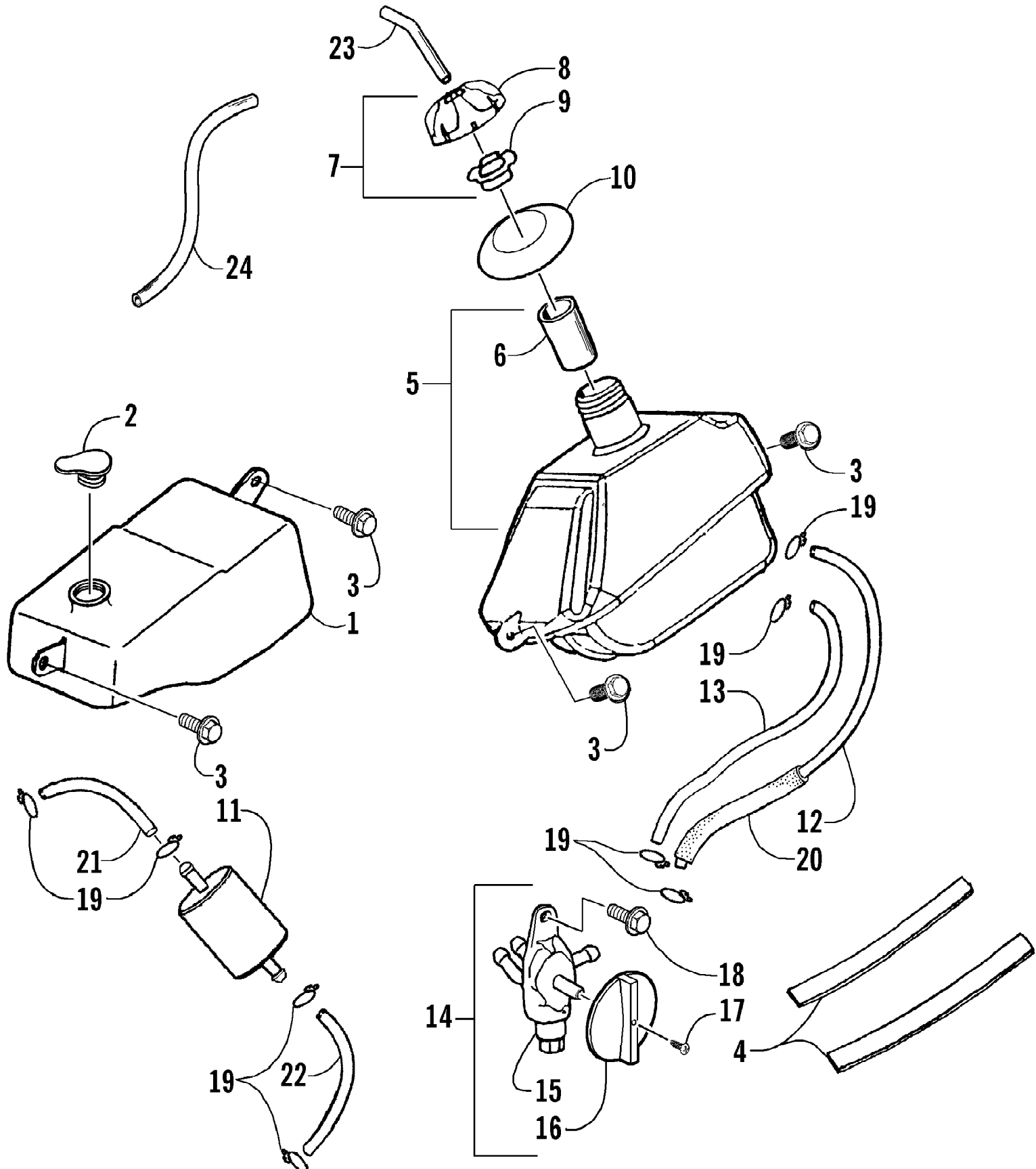
2004 ATV 50 Y-6 YOUTH GREEN (A2004ATA2BUSG)
FRONT BRAKE ASSEMBLY



2004 ATV 50 Y-6 YOUTH GREEN (A2004ATA2BUSG)
FRONT BRAKE ASSEMBLY

Page 28 of 50

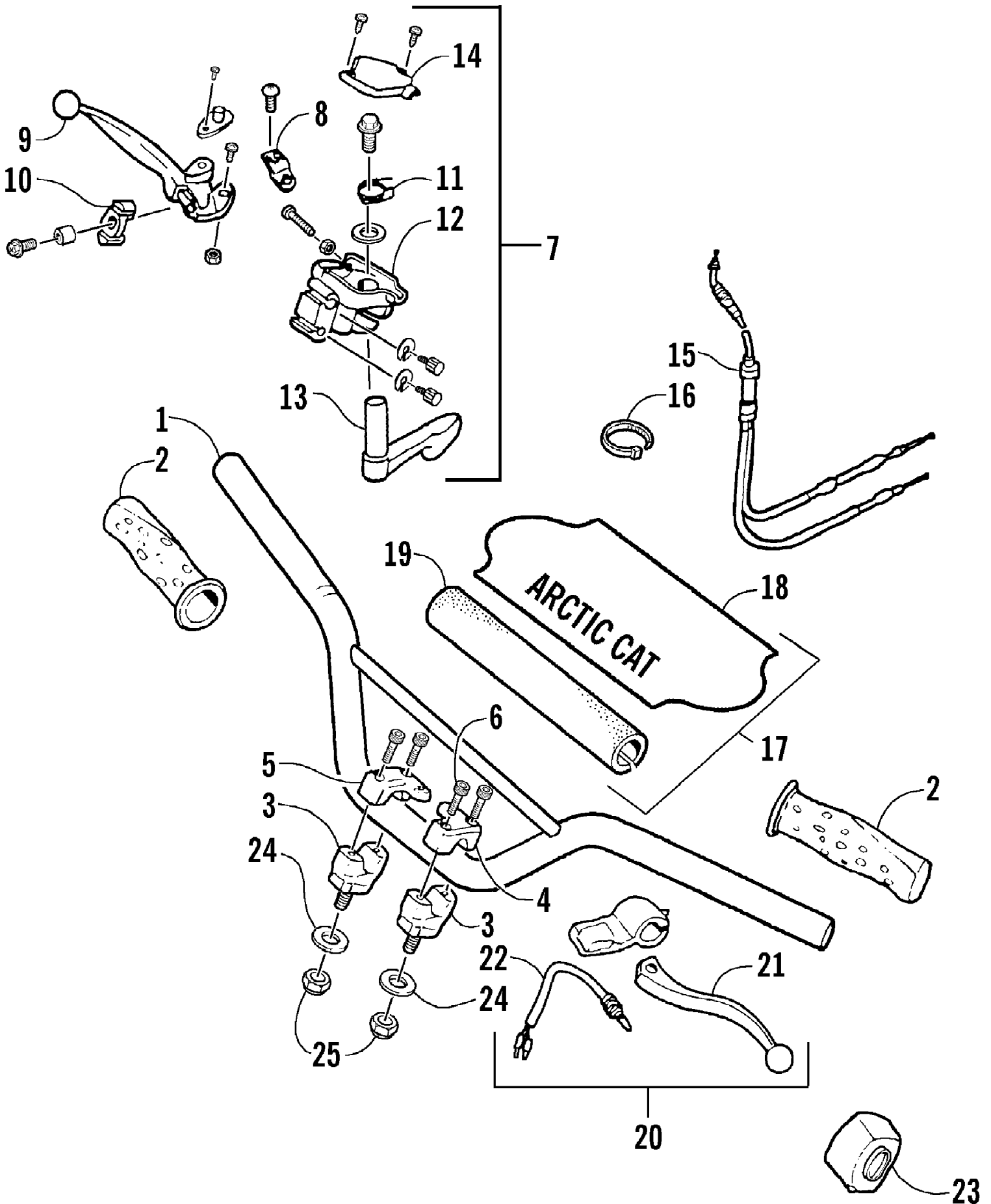
Ref #	Part Number	Qty	S/P/F	Description
1	3301-196	1		Panel, Brake - Front - Left
2	3301-203	1		Arm, Brake - Front - Left
3	3301-384	2		Screw, Cap
4	3301-197	1		Panel, Brake - Front - Right
5	3301-202	1		Arm, Brake - Front - Right
6	3301-205	2		Cable, Brake - Front
7	3301-201	2		Camshaft, Brake - Front
8	3301-199	2		Shoe, Brake - Front (inc. 9)
9	3301-200	2		Spring, Shoe Retainer
10	3301-298	2		O-Ring
11	3301-204	2		Spring, Return



2004 ATV 50 Y-6 YOUTH GREEN (A2004ATA2BUSG)
GAS TANK AND OIL TANK ASSEMBLIES

Page 30 of 50

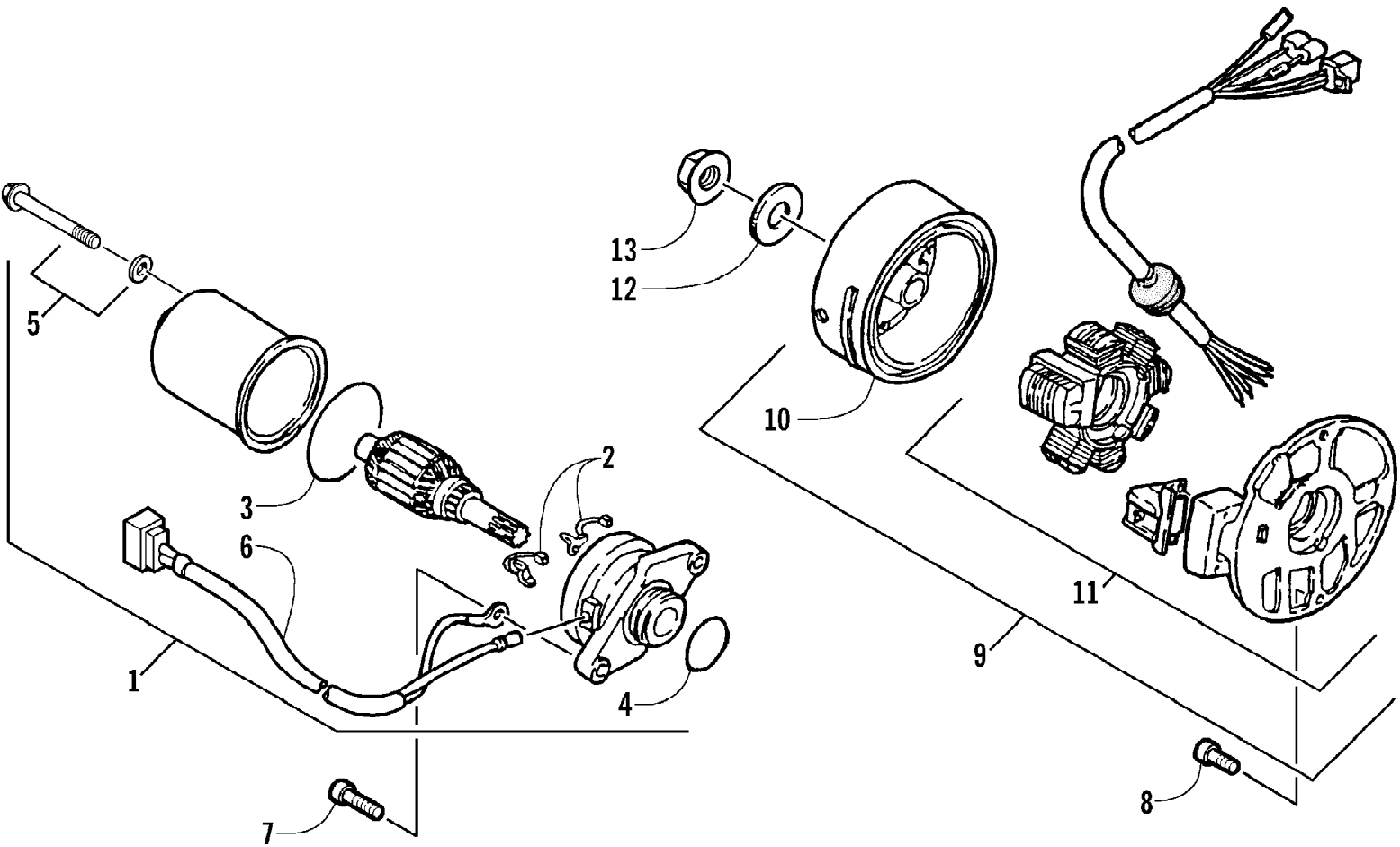
Ref #	Part Number	Qty	S/P/F	Description
1	3301-245	1		Tank, Oil
2	3301-246	1		Cap, Oil Tank
3	3301-306	4		Screw, Cap
4	3301-076	2		Pad, Foam
5	3301-073	1		Tank, Gas (inc. 6)
6	3301-084	1		Tube, Gas Tank
7	3301-078	1		Tank Cap Assembly (inc. 8-9)
8	3301-079	1		Cap, Tank
9	3301-081	1		Gasket, Cap
10	3301-489	1		Gasket, Front Cover - Rubber
11	3301-551	1		Cup, Oil Filter
12	3301-370	1		Tube
13	3301-369	1		Tube
14	3301-059	1		Cup, Gas (inc. 15-17)
15	3301-491	1		Body, Gas Cup
16	3301-080	1		Knob, Gas Cup
17	3301-470	1		Screw, Machine
18	3301-317	1		Screw, Machine
19	3301-374	8		Clip
20	3301-481	1		Cover, Tube
21	3301-477	1		Tube
22	3301-478	1		Tube
23	3301-479	1		Hose, Breather
24	3301-482	1		Cover, Tube



2004 ATV 50 Y-6 YOUTH GREEN (A2004ATA2BUSG)
HANDLEBAR ASSEMBLY

Ref #	Part Number	Qty	S/P/F	Description
1	3301-230	1		Handlebar
2	3301-234	2		Grip, Handlebar
3	3301-231	2		Clamp, Handlebar - Bottom
4	3301-232	1		Clamp, Handlebar - Left
5	3301-233	1		Clamp, Handlebar - Right
6	3301-290	4		Screw, Cap
7	3301-235	1	S	Lever Assembly - Right (inc. 8-13)
8	3301-239	1		Bracket, Throttle Cable
9	3301-240	1		Lever, Brake - Right
10	3301-238	1		Bracket, Cable
11	3301-244	1		Spring, Throttle Lever
12	3301-237	1		Bracket, Lever
13	3301-243	1		Lever, Throttle
14	3301-236	1		Cover, Lever Body
15	3301-555	1	/P	Cable, Throttle
16	3301-465	1		Cable Tie
17	3301-457	1	/P	Pad, Handlebar - Assembly (inc. 18-19)
18	3301-458	1	S	Cover, Pad
19	3301-459	1		Pad, Handlebar
20	3301-242	1		Lever Assembly - Left (inc. 21-22)
21	3301-241	1		Lever, Brake - Left
22	3301-153	1		Harness, Brake Switch
23	3301-152	1		Switch Assembly
24	3301-474	2	S	Washer
25	3301-283	2		Nut, Nylon

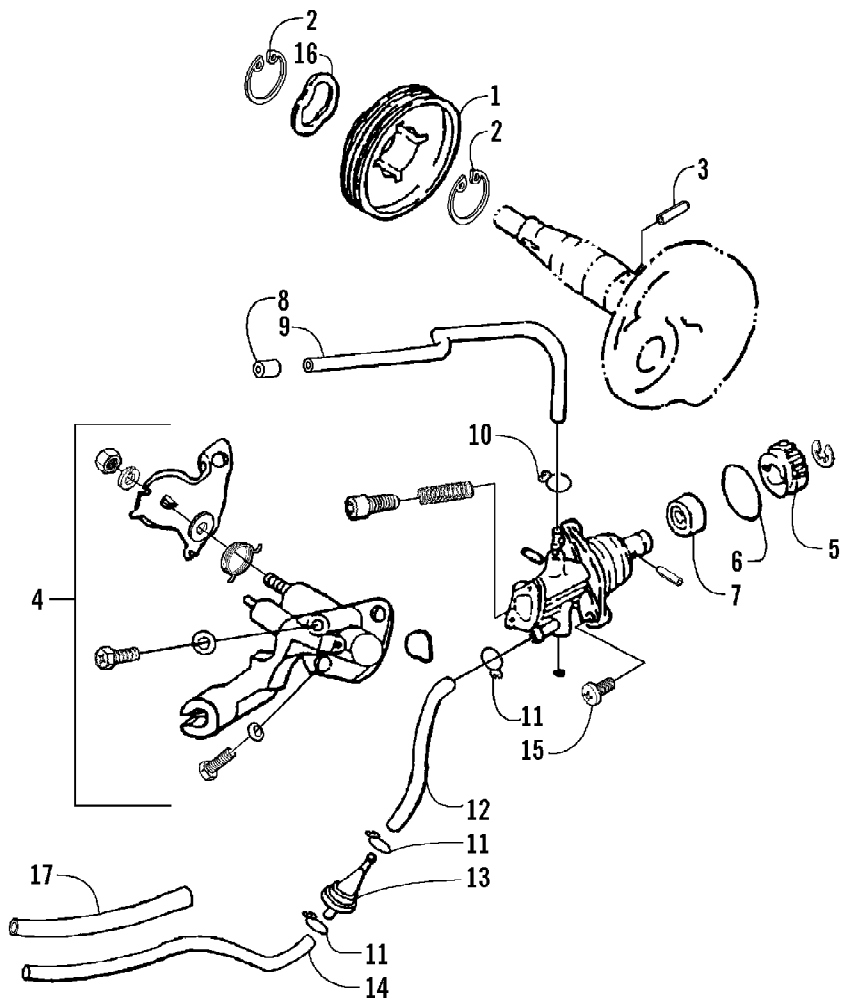
2004 ATV 50 Y-6 YOUTH GREEN (A2004ATA2BUSG)
MAGNETO AND STARTER MOTOR ASSEMBLY



2004 ATV 50 Y-6 YOUTH GREEN (A2004ATA2BUSG)
MAGNETO AND STARTER MOTOR ASSEMBLY

Page 34 of 50

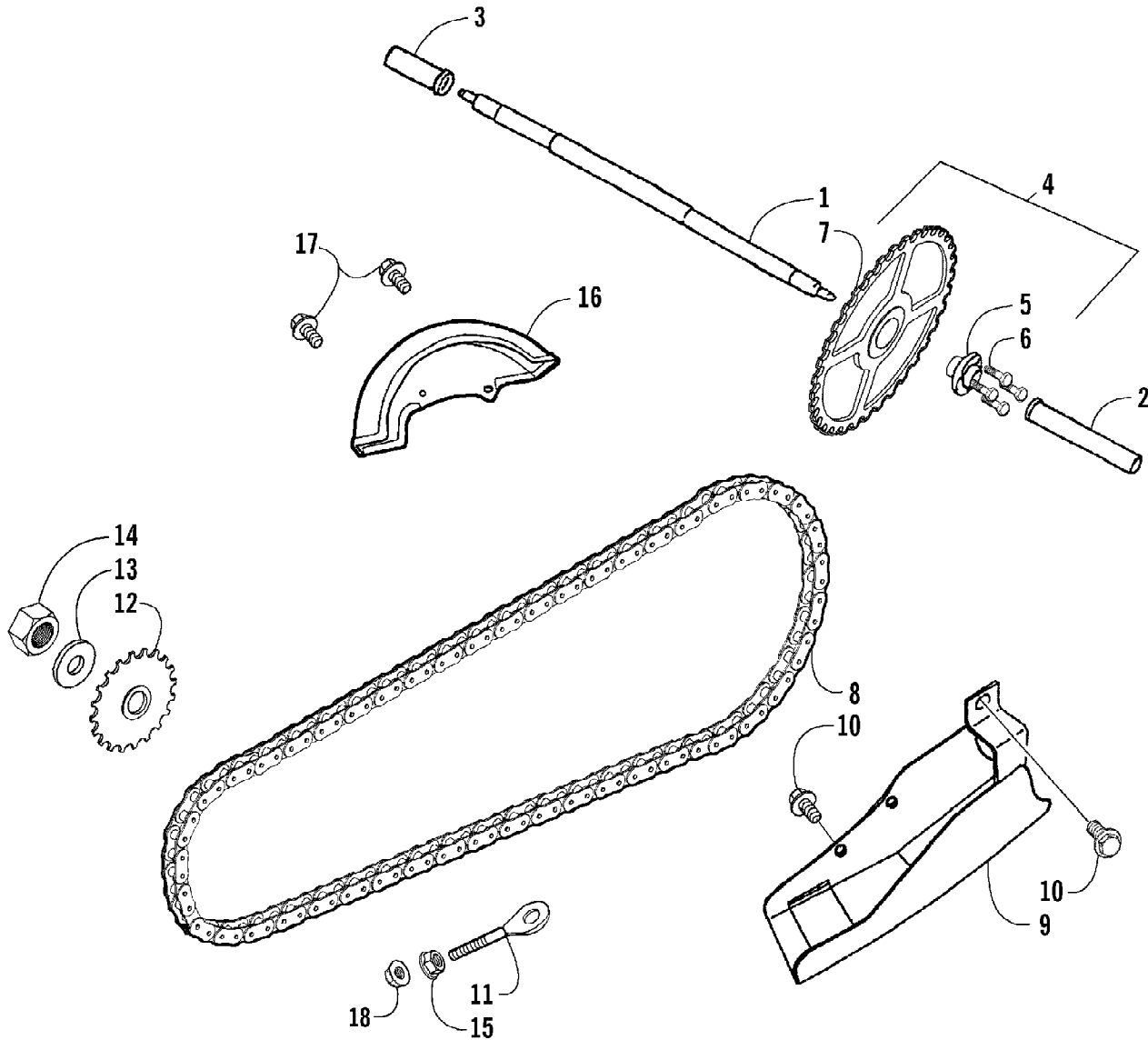
Ref #	Part Number	Qty	S/P/F	Description
1	3301-142	1		Starter Motor Assembly (inc. 2-6)
2	3301-572	1	/P	Brush Set
3	3301-303	1		O-Ring
4	3301-301	1		O-Ring
5	3301-583	2		Bolt w/Washer
6	3301-144	1		Harness, Starter Motor
7	3301-289	2		Screw, Cap
8	3301-288	2		Screw, Cap
9	3301-139	1		Magneto Assembly (inc. 10-11)
10	3301-140	1		Rotor/Flywheel
11	3301-141	1		Stator Assembly
12	3301-345	1		Washer
13	3301-331	1		Nut, Flange



2004 ATV 50 Y-6 YOUTH GREEN (A2004ATA2BUSG)
OIL PUMP ASSEMBLY

Page 36 of 50

Ref #	Part Number	Qty	S/P/F	Description
1	3301-035	1		Gear, Pump Drive
2	3301-379	2		Circlip
3	3301-425	1		Pin, Crankshaft
4	3301-586	1		Pump, Oil - Assembly (inc. 5-7)
5	3301-034	1		Gear, Oil Pump
6	3301-300	1		O-Ring
7	3301-433	1		Seal, Oil
8	3301-033	1		Ring, Steel
9	3301-366	1		Tube, Oil
10	3301-373	1		Clip
11	3301-374	4		Clip
12	3301-371	1		Tube
13	3301-075	1	/P	Cup, Oil Filter
14	3301-372	1		Tube
15	3301-317	2		Screw, Machine
16	3301-036	1		Washer, Wave
17	3301-585	1		Cover, Tube

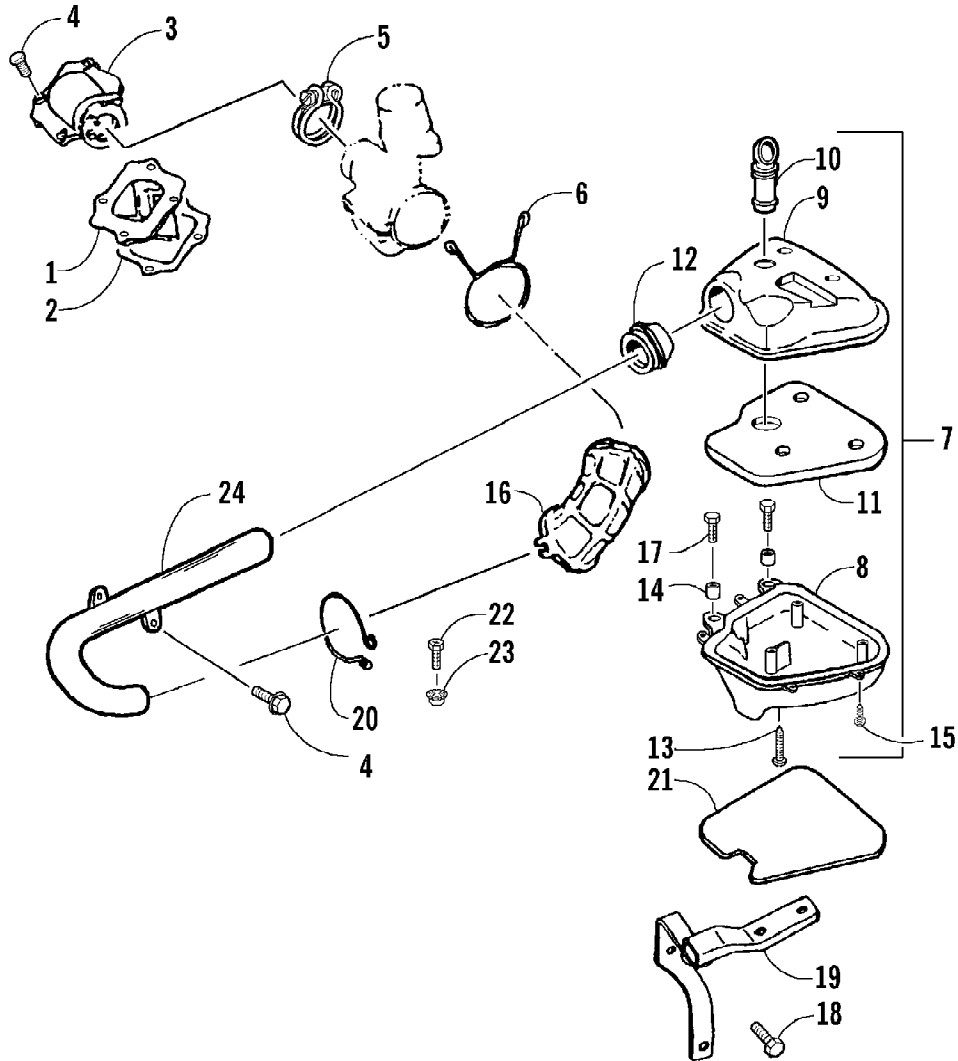


2004 ATV 50 Y-6 YOUTH GREEN (A2004ATA2BUSG)
REAR DRIVE ASSEMBLY

Page 38 of 50

Ref #	Part Number	Qty	S/P/F	Description
1	3301-161	1		Axle, Rear Wheel
2	3301-173	1		Collar, Spacer - Right
3	3301-174	1		Collar, Spacer - Left
4	3301-163	1		Rear Sprocket Assembly (inc. 5-7)
5	3301-165	1		Flange, Final Drive
6	3301-399	4		Screw, Cap
7	3301-159	1		Sprocket, Rear
8	3301-157	1		Chain, Drive
9	3301-155	1		Guard, Chain
10	3301-393	2		Screw, Cap
11	3301-573	1		Adjuster, Drive Chain
12	3301-123	1		Drive Sprocket Assembly
13	3301-352	1		Washer
14	3301-284	1		Nut, Nylon
15	3301-524	1		Nut, Flange
16	3301-156	1	/P	Guard, Chain - Rear
17	3301-386	2		Screw, Cap
18	3301-330	1		Nut, Flange

2004 ATV 50 Y-6 YOUTH GREEN (A2004ATA2BUSG)
REED VALVE AND AIR CLEANER ASSEMBLY



2004 ATV 50 Y-6 YOUTH GREEN (A2004ATA2BUSG)
 REED VALVE AND AIR CLEANER ASSEMBLY

Page 40 of 50

Ref #	Part Number	Qty	S/P/F	Description
1	3301-030	1		Valve, Reed - Assembly
2	3301-061	1		Gasket, Reed Valve
3	3301-060	1		Manifold, Intake
4	3301-389	4		Screw, Cap
5	3301-031	1		Clamp, Hose - Intake Manifold
6	3301-375	1		Clip
7	3301-587	1		Air Cleaner Assembly (inc. 8-15)
8	3301-064	1		Base, Air Cleaner
9	3301-065	1		Cover, Air Cleaner
10	3301-552	1		Pipe, Guide
11	3301-063	1		Element, Air Cleaner
12	3301-588	1		Connector, Air Cleaner
13	3301-323	3		Screw, Self-Tapping
14	3301-432	2		Grommet
15	3301-471	4		Screw, Self-Tapping
16	3301-520	1	/P	Joint, Air Cleaner
17	3301-307	2		Screw, Cap
18	3301-397	1		Screw, Cap
19	3301-072	1		Bracket, Air Cleaner
20	3301-376	1	/P	Clip
21	3301-553	1	S	Gasket, Air Cleaner Isolation
22	3301-309	1		Screw, Cap
23	3301-326	1		Nut, Flange
24	3301-554	1		Duct, Air

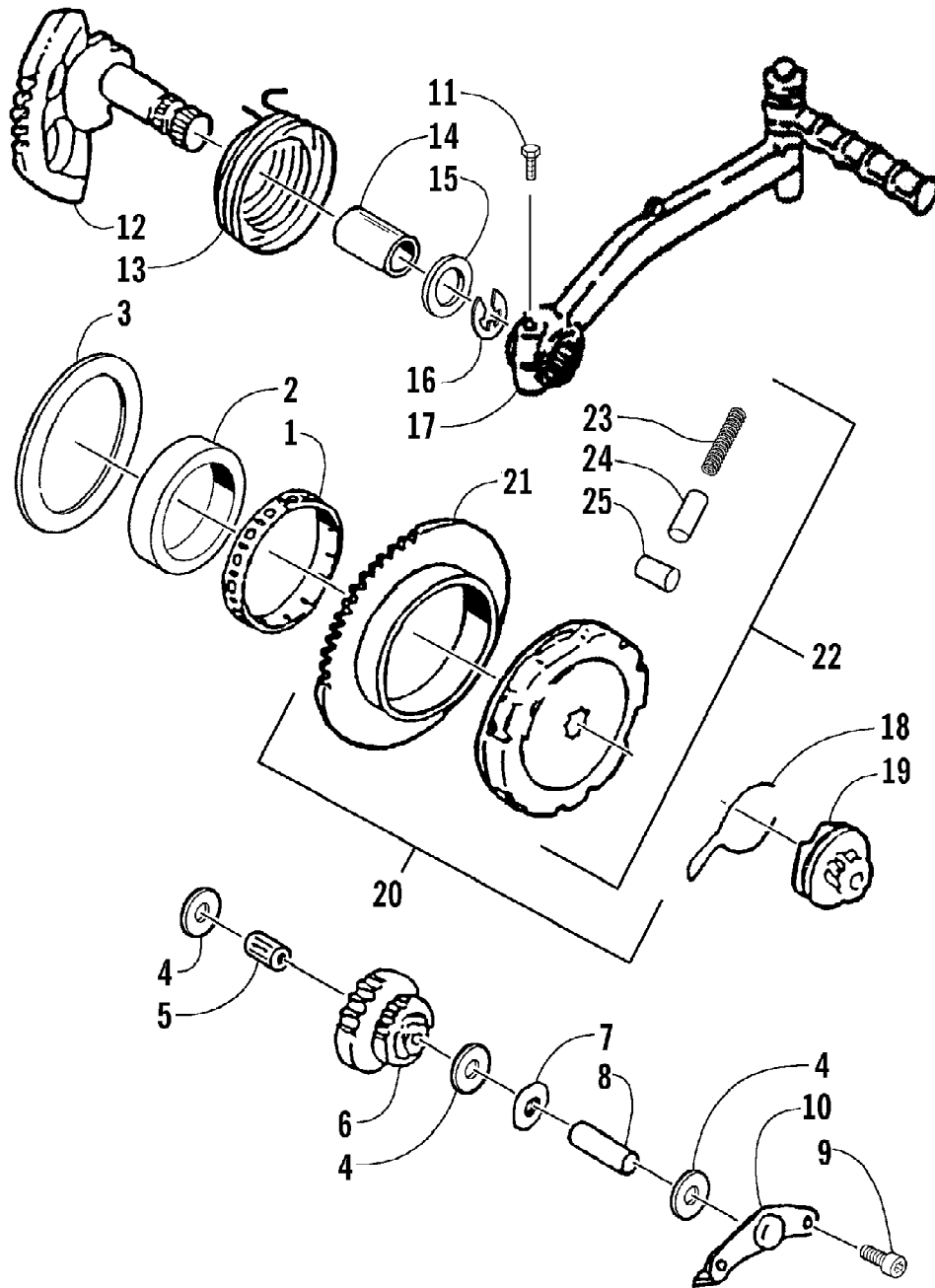
No
Diagram
Available

Parts List
Only

2004 ATV 50 Y-6 YOUTH GREEN (A2004ATA2BUSG)
RELATED ITEMS

Page 42 of 50

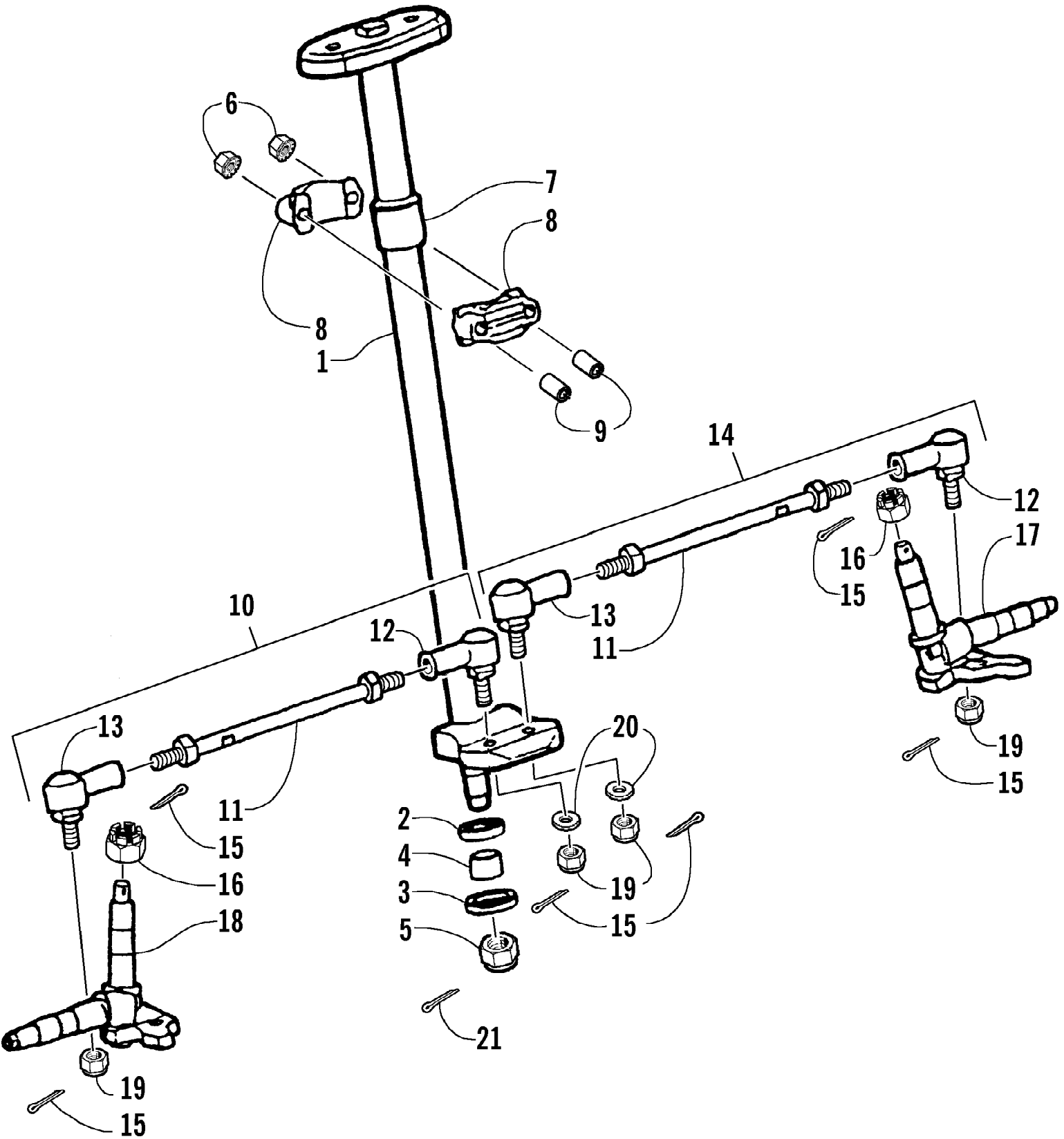
Ref #	Part Number	Qty	S/P/F	Description
	2257-026	1		Illustrated Parts Manual
	2257-012	1		Operator's Manual (E)
	2257-013	1		Manuel d'utilisation (F)
	0436-446	1		Skid Plate
	0436-447	1		Windshield



2004 ATV 50 Y-6 YOUTH GREEN (A2004ATA2BUSG)
STARTER ASSEMBLY

Page 44 of 50

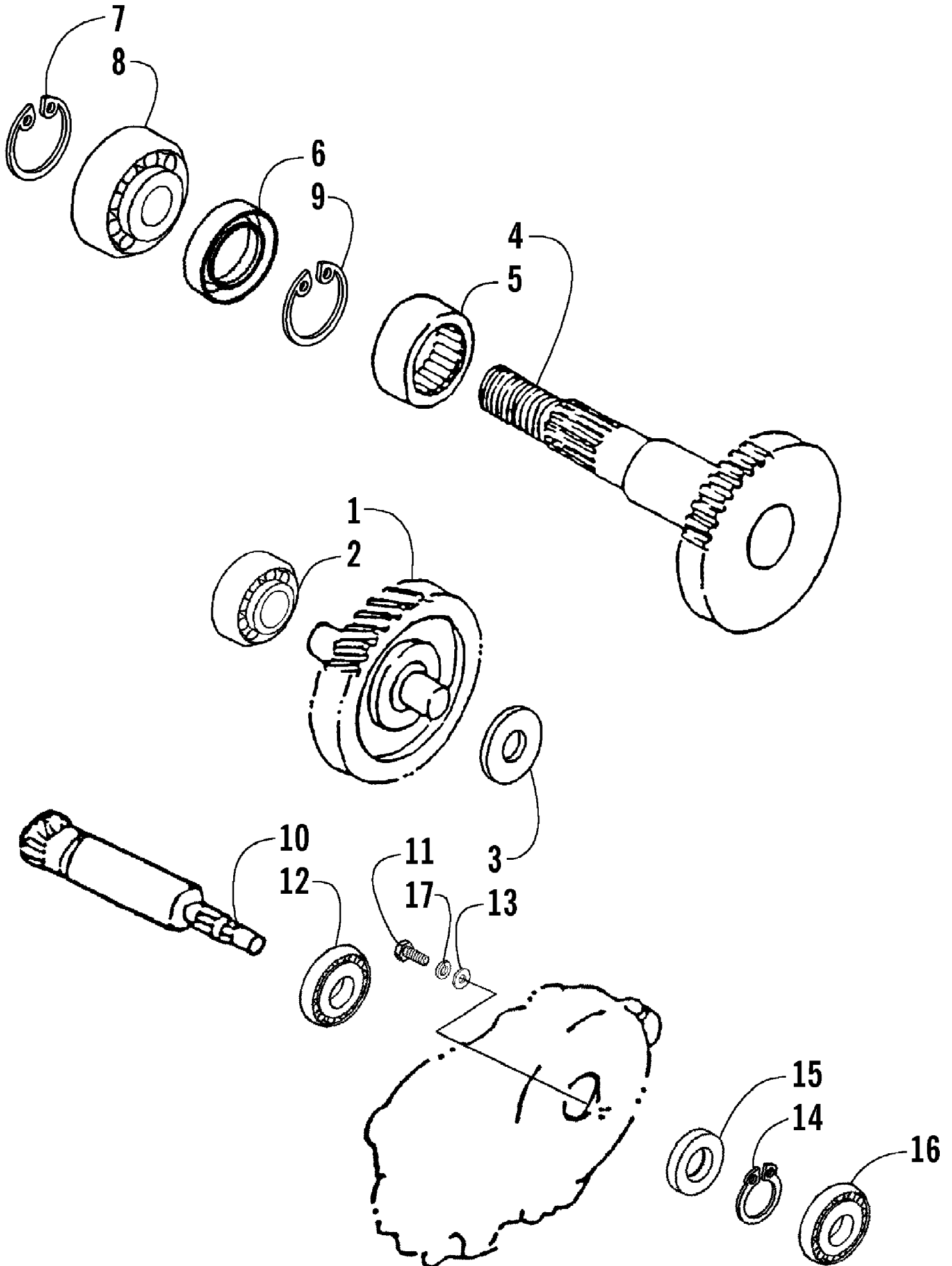
Ref #	Part Number	Qty	S/P/F	Description
1	3301-423	1		Bearing, Needle
2	3301-424	1		Boss, Bearing
3	3301-355	1		Washer
4	3301-344	3		Washer
5	3301-418	1		Bearing, Needle
6	3301-121	1		Gear, Idler
7	3301-311	1		Washer, Wave
8	3301-426	1		Shaft, Idler
9	3301-287	2		Screw, Cap
10	3301-009	1		Plate, Idler Gear
11	3301-391	1		Screw, Cap
12	3301-127	1		Starter Shaft Assembly
13	3301-128	1		Spring, Reset - Starter Shaft
14	3301-429	1		Bushing
15	3301-351	1		Washer
16	3301-377	1		Circlip
17	3301-568	1	S	Starter Crank Assembly
18	3301-125	1		Clip, Spring - Starter Pinion
19	3301-126	1		Starter Pinion Assembly
20	3301-569	1		Starter Clutch - Electric - Assembly (inc. 21-25)
21	3301-124	1		Wheel, Starter Clutch
22	3301-570	1		Clutch Set, Electric Starter (inc. 23-25)
23	3301-571	3		Spring, Clutch
24	3301-133	3		Guide, Clutch
25	3301-132	3		Roller, Clutch



2004 ATV 50 Y-6 YOUTH GREEN (A2004ATA2BUSG)
STEERING ASSEMBLY

Page 46 of 50

Ref #	Part Number	Qty	S/P/F	Description
1	3301-214	1		Steering Post Assembly
2	3301-436	1		Seal, Oil
3	3301-439	1		Seal, Oil
4	3301-195	1		Spacer
5	3301-284	1		Nut, Nylon
6	3301-330	2		Nut, Flange
7	3301-216	1		Bushing, Steering Post
8	3301-215	2		Holder, Steering Post
9	3301-217	2		Collar, Spacer
10	3301-577	1	S	Tie Rod Assembly - Left (inc. one No. 11-13)
11	3301-295	2		Tie Rod
12	3301-578	2		Joint, Ball - Left Thread
13	3301-579	2		Joint, Ball - Right Thread
14	3301-576	1	S	Tie Rod Assembly - Right (inc. one No. 11-13)
15	3301-362	6		Pin, Cotter
16	3301-334	2		Nut, Slotted
17	3301-191	1		Knuckle, Left
18	3301-193	1		Knuckle, Right
19	3301-283	4		Nut, Nylon
20	3301-474	2	S	Washer
21	3301-363	1		Pin, Cotter

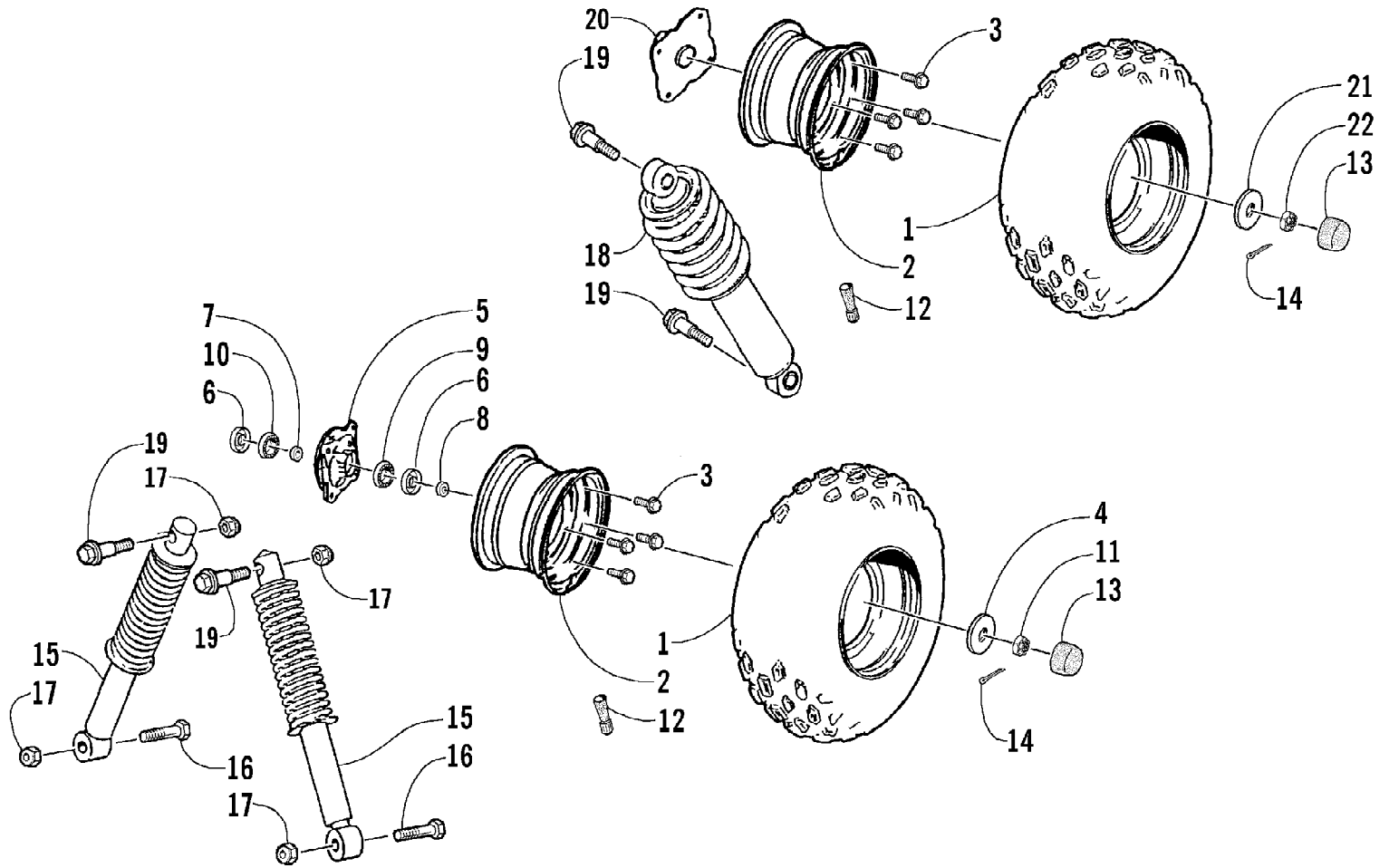


2004 ATV 50 Y-6 YOUTH GREEN (A2004ATA2BUSG)
TRANSMISSION ASSEMBLY

Page 48 of 50

Ref #	Part Number	Qty	S/P/F	Description
1	3301-566	1		Axle, Main
2	3301-414	1		Bearing, Radial Ball
3	3301-346	1		Washer
4	3301-567	1		Axle, Drive
5	3301-422	1		Bearing, Needle
6	3301-440	1		Seal, Oil
7	3301-383	2		Circlip
8	3301-412	1		Bearing, Radial Ball
9	3301-382	1		Circlip
10	3301-565	1		Gear, Primary Drive
11	3301-305	1		Screw, Cap
12	3301-410	1		Bearing, Radial Ball
13	3301-341	1		Washer
14	3301-378	1		Circlip
15	3301-435	1		Seal, Oil
16	3301-416	1		Bearing, Radial Ball
17	3301-360	1		Washer, Spring

2004 ATV 50 Y-6 YOUTH GREEN (A2004ATA2BUSG)
WHEEL, TIRE, AND SUSPENSION ASSEMBLY



2004 ATV 50 Y-6 YOUTH GREEN (A2004ATA2BUSG)
WHEEL, TIRE, AND SUSPENSION ASSEMBLY

Page 50 of 50

Ref #	Part Number	Qty	S/P/F	Description
1	3301-575	4		Tire
2	3301-574	4		Wheel
3	3301-399	16		Screw, Cap
4	3301-347	2		Washer
5	3301-176	2		Drum, Brake - Front
6	3301-439	4		Seal, Oil
7	3301-195	2		Spacer
8	3301-188	2		Collar - Front
9	3301-408	2		Bearing, Radial Ball
10	3301-411	2		Bearing, Radial Ball
11	3301-333	2		Nut, Slotted
12	3301-171	4	/P	Stem, Valve
13	3301-181	4		Cover, Rubber
14	3301-363	4		Pin, Cotter
15	3301-223	2		Shock, Front
16	3301-308	2		Screw, Cap
17	3301-283	4		Nut, Nylon
18	3301-229	1		Shock, Rear
19	3301-401	4		Screw, Cap
20	3301-160	2		Connector, Shaft
21	3301-350	2		Washer
22	3301-335	2		Nut, Slotted